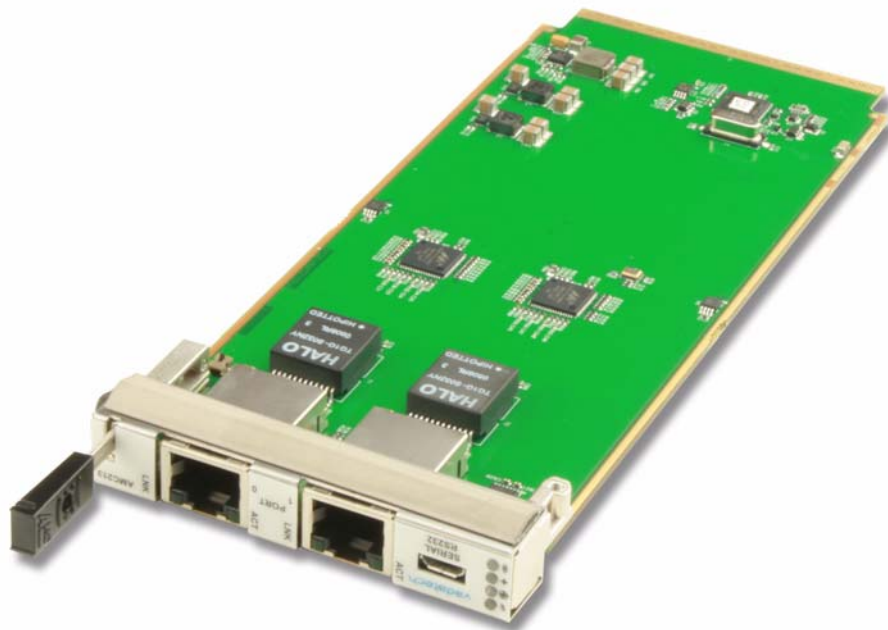


AMC213



KEY FEATURES

- AMC.2 compliant (1000-BaseBX)
- GbE via RJ-45
- 1000-BaseBX to Copper (1000 Mbit)
- OS support for:
 - OS independent

The AMC213 is a single-width, half-height AdvancedMC™ (AMC) based on the AMC.2 specification (option for mid or full-height available). The AMC213 provides Dual Gigabit Ethernet via RJ-45.

VadaTech AMC213 converts ports zero and one which are 1000Base-BX for GbE applications to Copper (1000Mbit). This allows the ports to be uplink to other systems via front panel Copper interface.

VadaTech can modify this product to meet special customer requirements without NRE (minimum order placement is required).

AdvancedMC™

AMC Dual 1000-BaseBX to Dual Copper (GbE)

SPECIFICATIONS

Architecture		
Physical	Dimensions	Single-Width, Mid-Height Front Panel (option for full-height)
		Width: 2.89 in. (73.5 mm)
		Depth: 7.11 in. (180.6 mm)
Type	AMC Ethernet	GbE
		Dual-port
		Gb/s per port
Standards		
AMC	Type	AMC.2
Module Management	IPMI	IPMI Version 2.0
	Ports	0 and 1
Configuration		
Power	AMC213	3W
Environmental	Temperature	Operating Temperature: 0° to 65° C (Air flow requirement is to be greater than 200 LFM)
		Storage Temperature: -40° to +90° C
	Vibration	1G, 5-500Hz each axis
	Shock	30Gs each axis
Front Panel	Relative Humidity	5 to 95 percent, non-condensing
	Interface Connectors	Dual RJ-45Connectors
	LEDs	IPMI Management Control
		Activity, Link
Mechanical	Hot Swap Ejector Handle	
Software Support	Operating Systems	Independent
Other		
MTBF	MIL Handbook 217-F > TBD Hrs.	
Certifications	Designed to meet FCC, CE and UL certifications where applicable	
Standards	VadaTech is certified to both the ISO9001:2000 and AS9100B:2004 standards	
Compliance	RoHS and NEBS	
Warranty	Two (2) years.	
Trademarks and Logos	The VadaTech logo is a registered trademark of VadaTech, Inc. Other registered trademarks are the property of their respective owners. AdvancedMC™ and the AdvancedTCA™ logo are trademarks of the PCI Industrial Computers Manufacturers Group. All rights reserved. Specification subject to change without notice.	

AMC Dual 1000-BaseBX to Dual Copper (GbE)

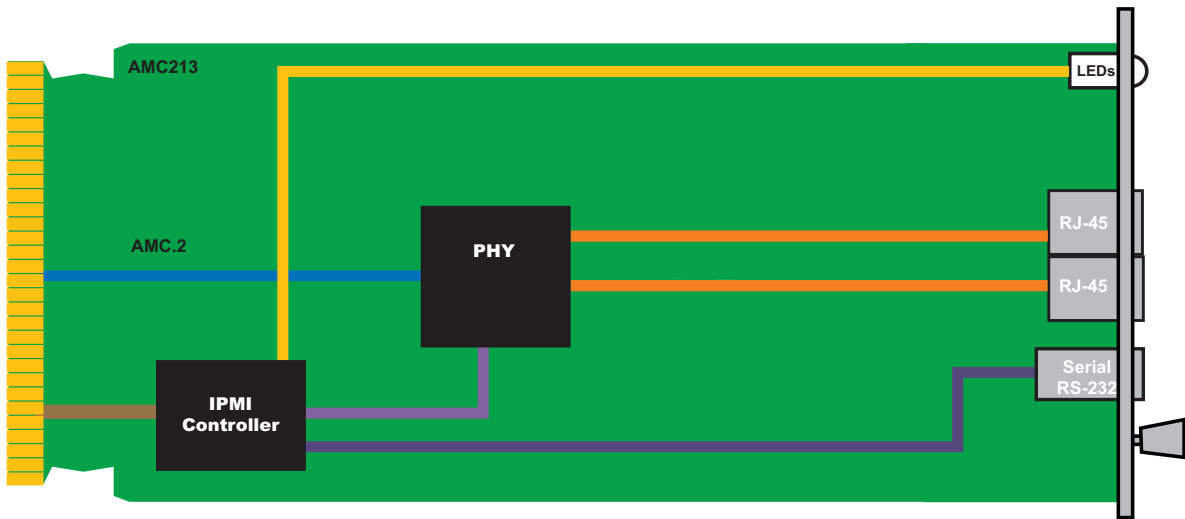
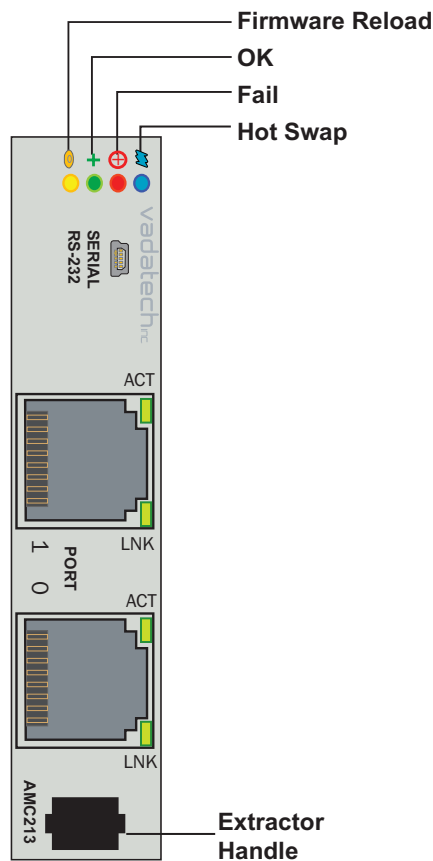


FIGURE 1. AMC213 Functional Block Diagram

FIGURE 2. AMC213 Front Panel



AMC Dual 1000-BaseBX to Dual Copper (GbE)

ORDERING OPTIONS

AMC213 - 00C - 000 - OHJ

H = Operating Temp

- 1 = Commercial
- 2 = Industrial

C = Front Panel Height

- 1 = Half-Height
- 2 = Mid-Height
- 3 = Full-Height

J = Conformal Coating

- 0 = None
- 1 = Humiseal 1A33 Polyurethane
- 2 = Humiseal 1B31 Acrylic



Document No _____ Date: November 2008, Pass two

