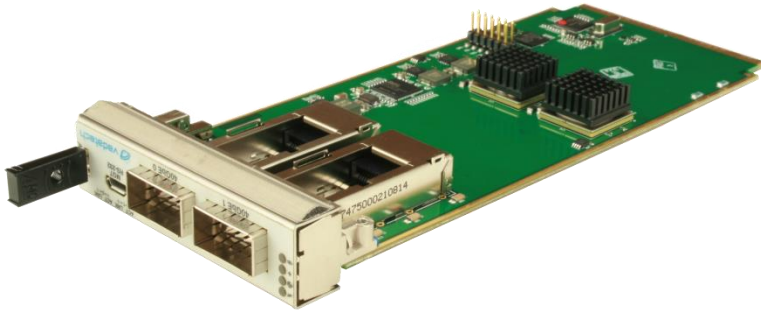


AMC XLAUI/XFI to QSFP+ Interface for 40G/10G – AMC233

Dual Port QSFP+ Interface



KEY FEATURES

- Network interface board with dual QSFP+ ports
- AMC.2 compliant
- 40GbE or (4x) 10GbE via the QSFP+ ports
- XLPPI-to-XLAUI/XFI operation
- EDC supporting SR4, LR4 and copper CR4
- Optional PCS 64B/66B scrambler/descrambler (in 4x 10G Mode)
- PRBS loopback
- OS independent

Benefits of Choosing VadaTech

- Dual QSFP+ ports on the front panel for 40GbE
- Design utilizes proven VadaTech subcomponents and engineering techniques
- Electrical, mechanical, software, and system-level expertise in house
- Full ecosystem of front and rear boards, enclosures, specialty modules, and test/dev products from one source
- AS9100 and ISO9001 certified company

The AMC233 is a single-module, mid-size AdvancedMC™ (AMC) based on the AMC.2 specification (full-size option available). The AMC233 provides 40GbE or quad 10GbE via each of the two QSFP+ ports.

VadaTech AMC233 converts ports 4-7 and 8-11 from XLAUI or XFI to Fiber/Copper. This allows the ports to be uplink to other systems via front panel. The module allows mix of 40GbE and 10GbE mode per port.

The PRBS feature allows testing frequency-offset crosstalk between input path and output path.

AMC XLAUI/XFI to QSFP+ Interface for 40G/10G – AMC233

INTEGRATION SERVICES AND APPLICATION-READY PLATFORMS

VadaTech has a full ecosystem of ATCA and μ TCA products including chassis platforms, shelf managers, AMC modules, Switch and Payload Boards, Rear Transition Modules (RTM), Power Modules, and more. The company also offers integration services as well as pre-configured Application-Ready Platforms. Please contact VadaTech Sales for more information.

BLOCK DIAGRAM

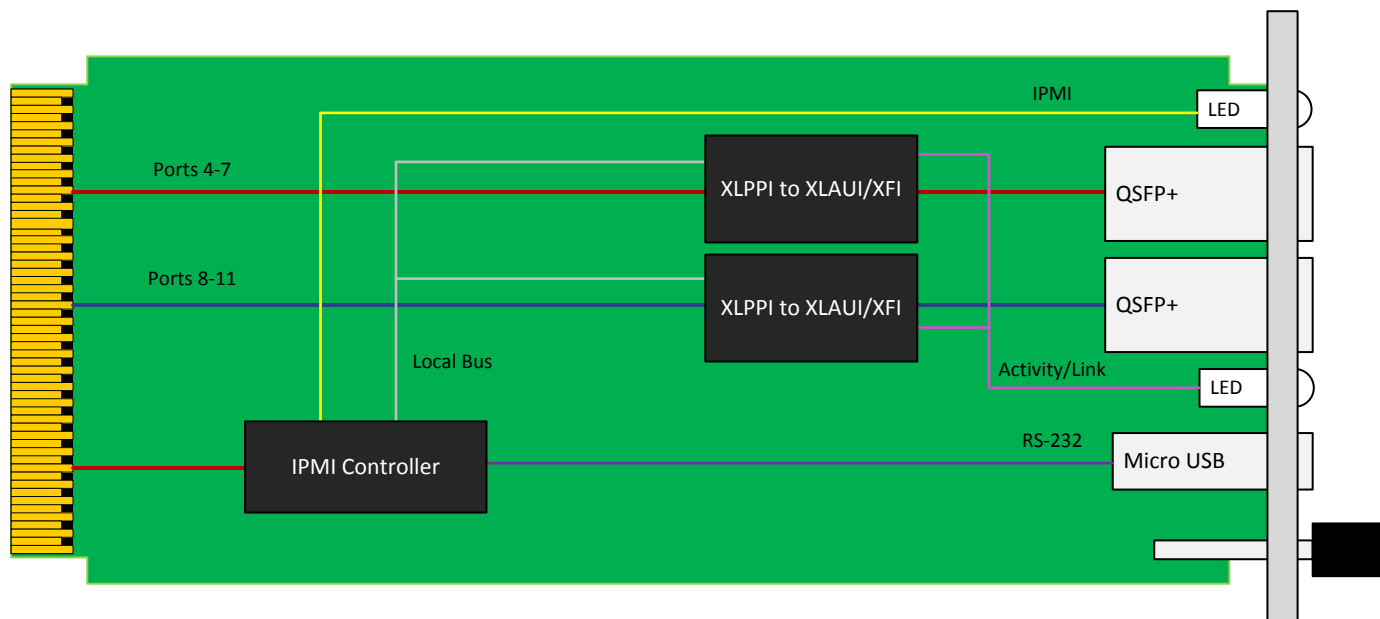


Figure 1: Block Diagram

FRONT PANEL

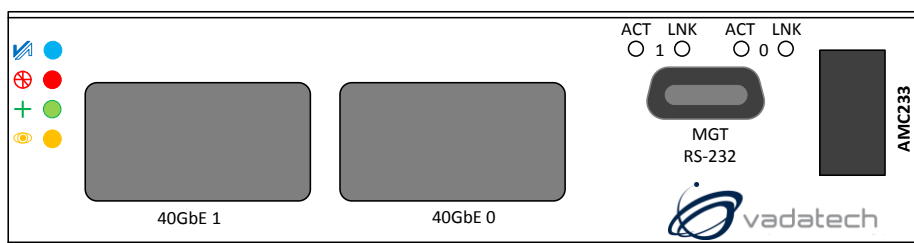


Figure 2: Front Panel

SPECIFICATIONS

| Architecture | | |
|---------------------------|--|--|
| Physical | Dimensions | Single module, mid-size (full-size options available) Width: 2.89" (73.5 mm) Depth: 7.11" (180.6 mm) |
| | Type | Ethernet XLPP1-to XLAUI/XFI |
| Standards | | |
| AMC | Type | AMC.2 |
| Module Management | IPMI | IPMI Version 2.0 |
| Configuration | | |
| Power | AMC233 | 6 W |
| Environmental | Temperature | Operating temperature: –5° to 55° C (air flow requirement of >200 LFM, industrial versions also available (See environmental spec sheet) Storage temperature: –40° to +85° C |
| | Vibration | Operating 9.8 m/s ² (1G), 5 to 500 Hz |
| | Shock | 30Gs on each axis |
| | Relative Humidity | 5 to 95 percent, non-condensing |
| Front Panel | LEDs | IPMI management control Activity and Link |
| | Interface Connectors | Dual QSFP+ |
| | Mechanical | Hot swap ejector handle |
| Software Support | Operating System | None |
| Other | | |
| MTBF | MIL Handbook 217-F@TBD Hrs | |
| Certifications | Designed to meet FCC, CE and UL certifications where applicable | |
| Compliance | PICMG 3.0 Rev 3.0, RoHS 2 and NEBS Level 3. | |
| Standards | VadaTech is certified to both the ISO9001:2000 and AS9100B:2004 standards | |
| Warranty | Two (2) years | |
| Trademarks and Disclaimer | The VadaTech logo is a registered trademark of VadaTech, Inc. Other registered trademarks are the property of their respective owners. AdvancedTCA™ and the AdvancedMC™ logo are trademarks of the PCI Industrial Computers Manufacturers Group. All rights reserved. Specification subject to change without notice | |

AMC XLAUI/XFI to QSFP+ Interface for 40G/10G – AMC233

ORDERING OPTIONS

AMC233 – A0C – 000 – 0HJ

A = QSFP+ Transceivers

- 0 = No transceivers
- 1 = Dual SR transceivers
- 2 = Dual LR transceivers

C = Front Panel Size

- 1 = Reserved
- 2 = Mid-size
- 3 = Full-size

H = Operating Temperature

- 0 = Commercial (-5° to +55° C)
- 1 = Industrial (-20° to +70° C)
- 2 = Military (-40° to +85° C)*

J = Conformal Coating

- 0 = None
- 1 = Humiseal 1A33 Polyurethane
- 2 = Humiseal 1B31 Acrylic

*Edge of module for conduction-cooled boards

RELATED PRODUCTS



VT866 40G
Chassis Platform



UTC004 40G
MCH



AMC517 Kintex-7
FPGA Carrier

CONTACT US

VadaTech Corporate Office

198 N. Gibson Rd.
Henderson, NV 89014
Email: info@vadatech.com
Telephone: +1 702 896-3337
Fax: +1 702 896-0332

Asia Pacific Sales Office

7 Floor, No. 2, Wenhui Street, Neihu District,
Taipei 114, Taiwan
Email: info@vadatech.com
Telephone: +886-2-2627-7655
Fax: +886-2-2627-7792

VadaTech European Sales Office

Ocean Village Innovation Centre, Ocean Way,
Ocean Village, Southampton, SO14 3JZ
Email: info@vadatech.com
Telephone: +44 2380 381982
Fax: +44 2380 381983