

## AMC632C – AMC Carrier for JBOD, 8 mSATA Disks

8 mSATA JBOD Carrier

Photo Coming Soon

### KEY FEATURES

- JBOD Carrier Module for 8 Mini-SATA (mSATA) disks
- Single removable tray carries mSATA drives
- Conduction cooled version
- Single module, mid-size per AMC.0
- Auto-latching of the caddy into the carrier for secure retention, push-button release
- IPMI 2.0 compliant

**AdvancedMC™**

### Benefits of Choosing VadaTech

- Multi-Terabit storage capacity in a single module AMC form factor carrier
- Removable storage for data-sensitive applications
- Fully compatible with HBA/RAID controller AMC631C
- Conduction cooled solution
- Electrical, mechanical, software, and system-level expertise in house
- Full system supply from industry leader
- AS9100 and ISO9001 certified company

The removable mSATA carrier tray on the AMC632C allows all drives to be removed together, supporting applications where large amounts of data need to be physically moved from one equipment to another, or where sensitive (e.g. classified) data must be removed from a system. The unit is fully compatible with the AMC631C RAID controller so can support fault-tolerant storage.

Multiple AMC632C units can be 'daisy chained' within a system (depending on backplane capabilities) supporting large scale storage systems.

The AMC632C is available as rugged conduction-cooled (MTCA.2 or MTCA.3) versions.

# AMC632C – AMC Carrier for JBOD, 8 mSATA Disks

## BLOCK DIAGRAM

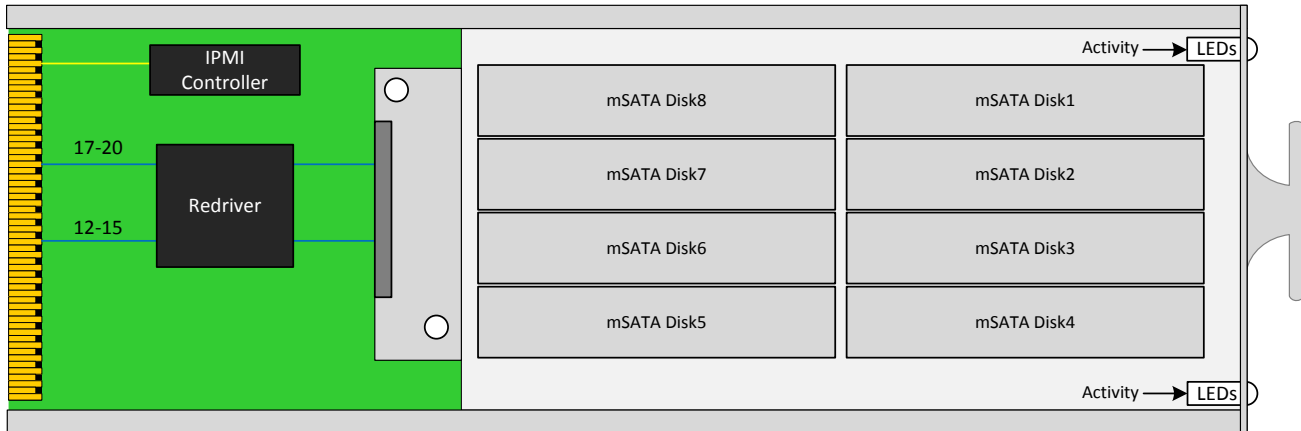


Figure 1: AMC632C Block Diagram

## PANEL

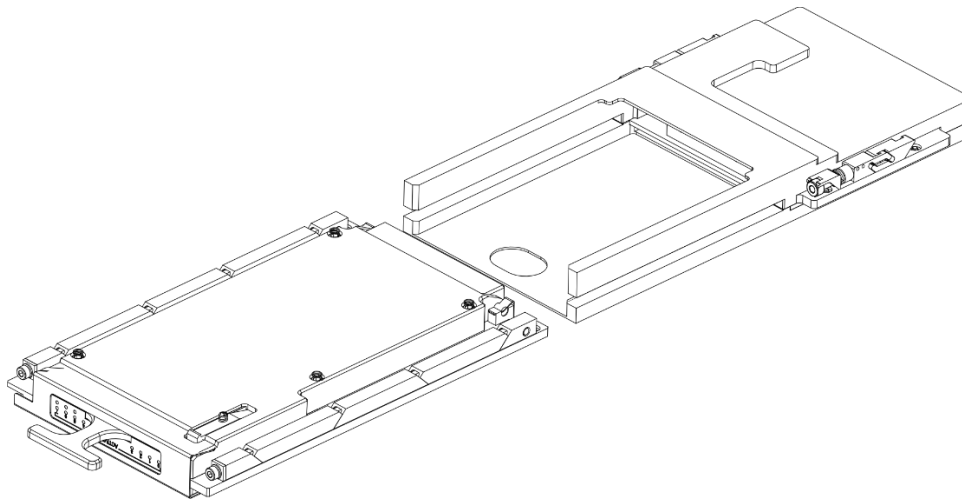


Figure 2: AMC632C Mechanical Outline

## SPECIFICATIONS

Architecture		
Physical	Dimensions	Single module, mid-size (full-size option available) Width: 2.89" (73.5 mm) Depth: 7.11" (180.6 mm), carrier protrudes ~1.95" from AMC front panel
	Type	AMC Storage 8 mSATA JBOD Carrier
Standards		
AMC	Type	AMC.0
Module Management	IPMI	IPMI Version 2.0
Storage	Type	Up to 8x Mini-SATA drives
Configuration		
Power	AMC632C	TBD W (drive tray removed)
Environmental	Temperature	Operating temperature: -5° to 45° C (55°C for limited time, performance restrictions may apply), industrial and military versions also available (See <a href="#">environmental spec sheet</a> ) Storage temperature: -40° to +85° C with the disk
	Vibration	Operating 9.8 m/s <sup>2</sup> (1G), 5 to 500 Hz
	Shock	Operating 325G/2 ms, 160G/1 ms
	Relative Humidity	5 to 95 percent, non-condensing
Front Panel	LEDs	IPMI management control 8x Activity
	Mechanical	Wedgelocks (AMC632CC); Removable Tray
Software Support	Operating System	Linux, Windows, Solaris and VxWorks
Other		
MTBF	MIL Handbook 217-F@TBD Hrs	
Certifications	Designed to meet FCC, CE and UL certifications where applicable	
Compliance	RoHS and NEBS.	
Standards	VadaTech is certified to both the ISO9001:2000 and AS9100B:2004 standards	
Warranty	Two (2) years	

### INTEGRATION SERVICES AND APPLICATION-READY PLATFORMS

VadaTech has a full ecosystem of ATCA and  $\mu$ TCA products including chassis platforms, shelf managers, AMC modules, Switch and Payload Boards, Rear Transition Modules (RTM), Power Modules, and more. The company also offers integration services as well as pre-configured Application-Ready Platforms. Please contact VadaTech Sales for more information.

### Trademarks and Disclaimer

The VadaTech logo is a registered trademark of VadaTech, Inc. Other registered trademarks are the property of their respective owners. AdvancedTCA™ and the AdvancedMC™ logo are trademarks of the PCI Industrial Computers Manufacturers Group. All rights reserved. Specification subject to change without notice.

# AMC632C – AMC Carrier for JBOD, 8 mSATA Disks

## ORDERING OPTIONS

### AMC632C – ABC – 000 – 00J

#### A = mSATA Disks

- 0 = 8 disks
- 1 = 4 disks
- 2 = Reserved

#### B = mSATA Disk Capacity

- 0 = 256 GB/disk
- 1 = 512 GB/disk
- 2 = 1 TB/disk
- 3 = Reserved

#### C = Ruggedization Level\*

- 0 = None
- 1 = Contact Vadatech
- 2 = Contact Vadatech
- 3 = Contact Vadatech

#### J = Temperature Range and Coating\*\*

- 0 = Commercial (–5° to +45° C), No coating
- 1 = Commercial (–5° to +45° C), Humiseal 1A33 Polyurethane
- 2 = Commercial (–5° to +45° C), Humiseal 1B31 Acrylic
- 3 = Reserved
- 4 = Industrial (–20° to +70° C), Humiseal 1A33 Polyurethane
- 5 = Industrial (–20° to +70° C), Humiseal 1B31 Acrylic
- 6 = Reserved
- 7 = Reserved

\*Ruggedization level is per the uTCA.2 and uTCA.3 specification

\*\* Edge of module

## RELATED PRODUCTS



VT872 1/2 ATR Short  
6 AMC, Conduction Cooled



AMC631C Integrated RAID HBA  
with SAS Expander AMC



AMC720 Xeon E3-1125  
Processor AMC

## CONTACT US

### VadaTech Corporate Office

198 N. Gibson Rd.  
Henderson, NV 89014  
Email: [info@vadatech.com](mailto:info@vadatech.com)  
Telephone: +1 702 896-3337  
Fax: +1 702 896-0332

### Asia Pacific Sales Office

7 Floor, No. 2, Wenhui Street, Neihu District,  
Taipei 114, Taiwan  
Email: [info@vadatech.com](mailto:info@vadatech.com)  
Telephone: +886-2-2627-7655  
Fax: +886-2-2627-7792

### VadaTech European Sales Office

VadaTech House, Bulls Copse Road,  
Southampton, SO40 9LR  
Email: [info@vadatech.com](mailto:info@vadatech.com)  
Telephone: +44 2380 016403