

AMC702 – Freescale QorIQ T4240 Processor AMC

PrAMC. T4240



KEY FEATURES

- Processor AMC with QorIQ T4240
- SRIO on ports 4-11
- Three banks of 64-bit DDR3 memory (up to 24 GB total)
- Front panel has 10 GbE via SFP+ and GbE via RJ-45
- 128 MB NOR Flash and 512 MB NAND Flash
- Single-module, mid-size per AMC.0
- IPMI version 2.0 compliant

AdvancedMC™

Benefits of Choosing VadaTech

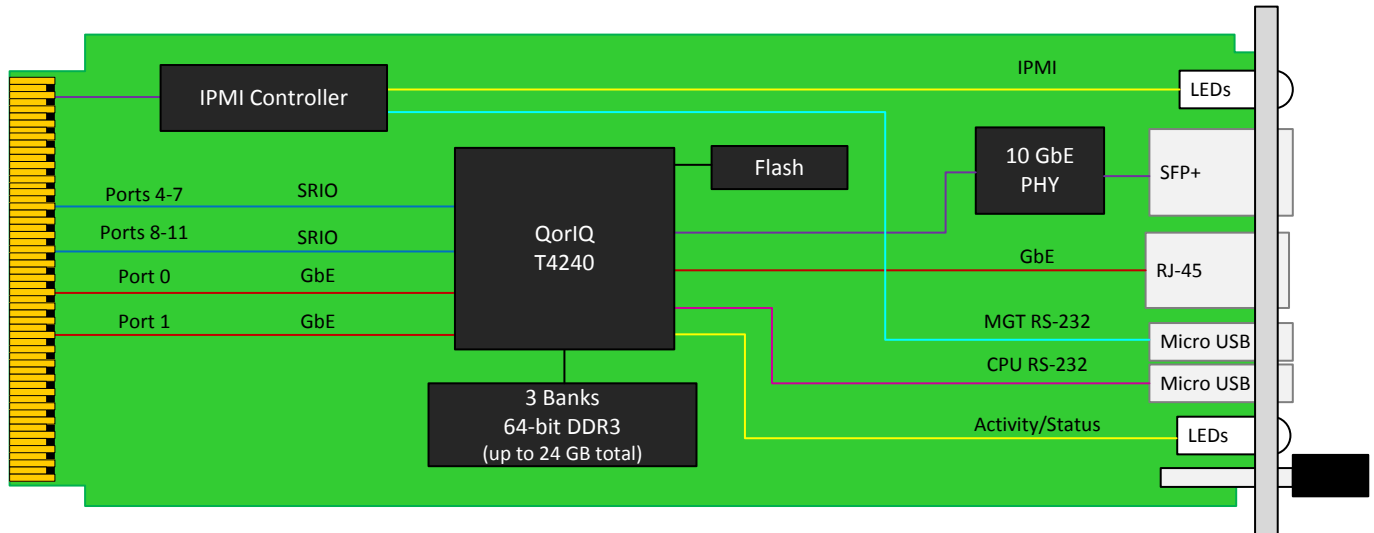
- Integrated control and data path processing in a single module
- 24 virtual cores at up to 1.8 GHz
- Design utilizes proven VadaTech subcomponents and engineering techniques
- Electrical, mechanical, software, and system-level expertise in house
 - Full system supply from industry leader
- AS9100 and ISO9001 certified company

The AMC702 is a Processor AMC (PrAMC) based on the Freescale QorIQ T4240 in a single-module, mid-size AdvancedMC™ (AMC) form factor based on the AMC.2 and the AMC.4 specifications.

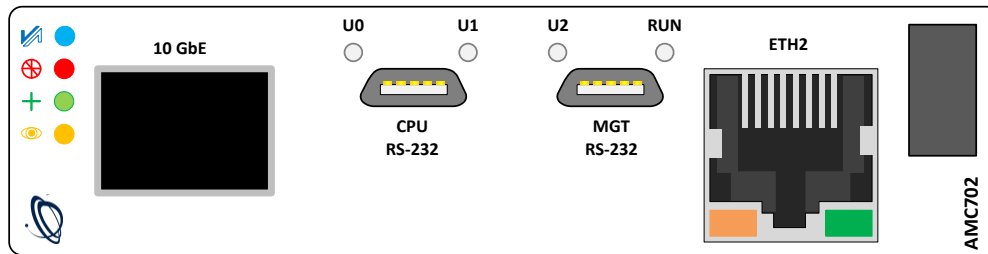
The front panel provides access to GbE via a single RJ-45 connector and 10 GbE via SFP+ connector.

The AMC702 provides dual GbE to the rear per AMC.2 specification on ports 0 and 1. It has single GbE to the front. The module also provides SRIO 2.0 on ports 4-7 and 8-11.

BLOCK DIAGRAM



FRONT PANEL



SPECIFICATIONS

Architecture		
Physical	Dimensions	Single module, mid-size with full-size option
		Width 2.89" (73.5 mm)
		Depth 7.11" (180.6 mm)
Type	PrAMC	Freescale QorIQ T4240
Standards		
AMC	Type	AMC.0, AMC.2 and AMC.4
Module Management	IPMI	IPMI Version 2.0
SRIO 2.0	Lanes	Dual x4
10GbE	Lanes	10GbE via front panel
Ethernet	GbE	GbE on ports 0-1, single GbE via front panel
Configuration		
Power	AMC702	~TBD W
Environmental	Temperature	Operating temperature: -5° to 45°C (55°C for limited time, performance restrictions may apply), (See environmental spec sheet)
		Storage Temperature: -40° to +85° C
	Vibration	Operating: 9.8 m/s ² (1G), 5 to 500 Hz on each axis
	Shock	Operating 325 G/2 ms, 160G/1 ms
	Relative Humidity	5 to 95 percent, non-condensing
Front Panel	Interface Connectors	10 GbE via SFP+
		GbE via RJ-45
		Dual RS-232 management ports via micro USB
	LEDs	IPMI Management Control (Blue, Red, Amber, and Green LEDs) Link/Activity
	Mechanical	Hot Swap Ejector Handle
Software Support	Operating Systems	Linux (consult Sales for other OS options)
Other		
MTBF		MIL Hand book 217-F @ TBD Hrs
Certifications		Designed to meet FCC, CE and UL certifications where applicable
Standards		VadaTech is certified to both the ISO9001:2000 and AS9100B:2004 standards
Warranty		Two (2) years

INTEGRATION SERVICES AND APPLICATION-READY PLATFORMS

VadaTech has a full ecosystem of ATCA and μ TCA products including chassis platforms, shelf managers, AMC modules, Switch and Payload Boards, Rear Transition Modules (RTM), Power Modules, and more. The company also offers integration services as well as pre-configured Application-Ready Platforms. Please contact VadaTech Sales for more information

Trademarks and Disclaimer

The VadaTech logo is a registered trademark of VadaTech, Inc. Other registered trademarks are the property of their respective owners. AdvancedTCA™ and the AdvancedMC™ logo are trademarks of the PCI Industrial Computers Manufacturers Group. All rights reserved. Specification subject to change without notice.

ORDERING OPTIONS

AMC702 – ABC – 0E0 – 00J

A = Processor Option

- 0 = 1.8GHz with SE
- 1 = 1.8GHz without SE
- 2 = 1.5GHz with SE
- 3 = 1.5GHz without SE

B = DDR-III memory

- 0 = 6 GB
- 1 = 12 GB
- 2 = 24 GB

C = Front Panel

- 1 = Reserved
- 2 = Mid-size
- 3 = Full-size
- 4 = Reserved
- 5 = Mid-size, MTCA.1 (captive screws)
- 6 = Full-size, MTCA.1 (captive screws)

E = SFP+ Transceiver

- 0 = None
- 1 = 10GBASE-SR
- 2 = Reserved
- 3 = Reserved
- 4 = 10GBASE-LR

J = Temperature Range and Coating

- 0 = Commercial (–5° to +55° C), No coating
- 1 = Commercial (–5° to +55° C), Humiseal 1A33 Polyurethane
- 2 = Commercial (–5° to +55° C), Humiseal 1B31 Acrylic
- 3 = Industrial (–20° to +70° C), No coating
- 4 = Industrial (–20° to +70° C), Humiseal 1A33 Polyurethane
- 5 = Industrial (–20° to +70° C), Humiseal 1B31 Acrylic
- 6 = Military (–40° to +85° C), Humiseal 1A33 Polyurethane*
- 7 = Military (–40° to +85° C), Humiseal 1B31 Acrylic*

*Edge of module for conduction-cooled boards

RELATED PRODUCTS



VT814 2U
MTCA.4 Chassis



VT811 MTCA.4
Chassis



AMC725 MTCA.4
Processor

CONTACT US

VadaTech Corporate Office

198 N. Gibson Rd.
Henderson, NV 89014
Email: info@vadatech.com
Telephone: +1 702 896-3337
Fax: +1 702 896-0332

Asia Pacific Sales Office

7 Floor, No. 2, Wenhua Street, Neihu District,
Taipei 114, Taiwan
Email: info@vadatech.com
Telephone: +886-2-2627-7655
Fax: +886-2-2627-7792

VadaTech European Sales Office

VadaTech House, Bulls Copse Road,
Southampton, SO40 9LR
Email: info@vadatech.com
Telephone: +44 2380 381982
Fax: +44 2380 381983