

# ATC121

## PCIe Gen 3 ATCA Carrier with Low-Power Xeon E3



ATC121

## Key Features

- ATCA Processing Carrier with a standard PCIe edge Module
- Xeon E3-1268L V3 Processor with 32GB ECC
- Quad Core @ 2.3GHz or Turbo Frequency @ 3.3 GHz
- x16 standard PCIe Gen 3 slot
- Dual 10GbE to Fabric channels, Dual GbE to Base channels
- Dual Display Port (DP) in with DP to DVI-D converter
- Dual DVI-D output via LFH-59
- USB 3.0 and USB 2.0
- On board mSATA socket
- Utilizes on-board VadaTech VT003 third generation shelf manager

## Benefits

- Combined standard edge-type PCIe Gen 3 I/O with a lower power Xeon CPU
- VadaTech's Scorpionware® Shelf Management Software included at no additional cost
- Design utilizes proven VadaTech subcomponents and engineering techniques
- Electrical, mechanical, software, and system-level expertise in house
- Full ecosystem of front and rear boards, enclosures, specialty modules, and test/dev products from one source
- AS9100 and ISO9001 certified company

**Advanced TCA®**

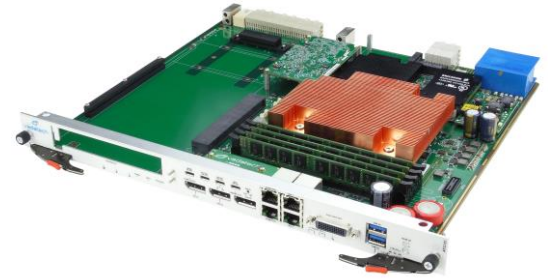


**vadatech**  
THE POWER OF VISION



# ATC121

The ATC121 is a PCIe Gen3 Carrier Module. The ATC121 has an on board x16 PCIe Gen3 slot to accept any standard PCIe edge type module. The ATC121 comes with 32GB of ECC memory. It has dual on-board Display Port (DP) to DVI-D converter. The on-board processor provides DP output with dual GbE on the front panel. The ATC121 has an option for the TPM (Trusted Platform Management).



The ATC121 has an option for the VadaTech Shelf Manager VT003 (VadaTech third generation shelf manager) which allows the elimination of the shelf slot in the chassis.

An ART121 Rear Transition Module (RTM) is available for the ATC121.

## Block Diagram

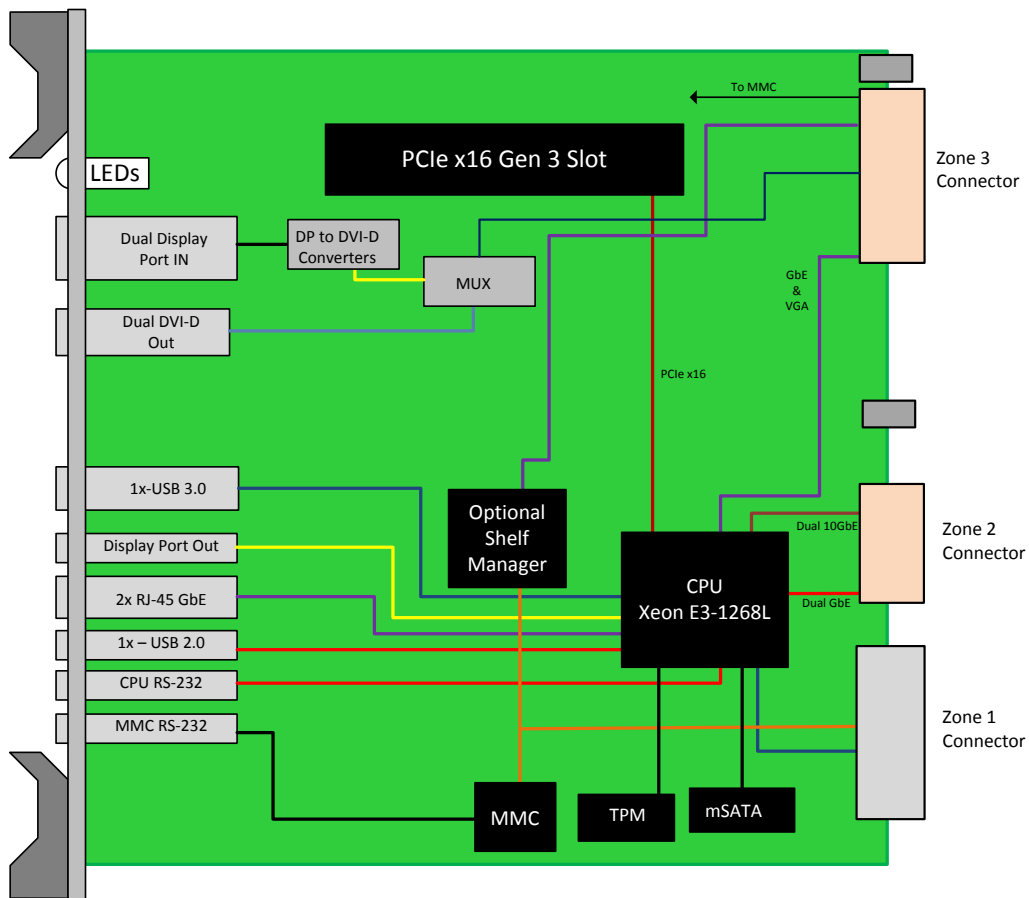


Figure 1: ATC121 Functional Block Diagram

# Specifications

<b>Architecture</b>		
<b>Physical</b>	<b>Dimensions</b>	Width: 12.687" (322.25 mm) Depth: 11.024" (280 mm)
<b>Type</b>	<b>ATCA Carrier</b>	PCIe x16 standard edge
<b>Standards</b>		
<b>PCIe</b>	<b>Type</b>	x16 PCIe Gen3
<b>Module Management</b>	<b>IPMI</b>	IPMI version 2.0
<b>PICMG</b>	<b>ATCA</b>	PICMG 3.0 revision 2.0
<b>Configuration</b>		
<b>Power</b>	<b>ATC121</b>	70W without PCIe I/O module
<b>Environmental</b>	<b>Temperature</b>	Operating temperature: -5° to 45° C (55° C for limited time, performance restrictions may apply), industrial versions also available (See <a href="#">environmental spec sheet</a> ) Storage Temperature: -40° to +60° C
	<b>Vibration</b>	0.5 G RMS, 20 to 20000 Hz random (operating) 6 Gs RMS (non-operating)
	<b>Shock</b>	Operating 30G on each axis
	<b>Relative Humidity</b>	5 to 95 per cent, non-condensing
<b>Front Panel</b>	<b>Interface Connectors</b>	1x USB 3.0 and 1x USB 2.0 2x RJ-45 GbE 1x LFH-59 2x DP input and 1x DP output 2x Micro USB for RS-232
	<b>LEDs</b>	Status
<b>Software Support</b>	<b>Operating System</b>	Linux, VxWorks and Windows
<b>Conformal Coating</b>		Humiseal 1A33 Polyurethane (Optional) Humiseal 1B31 Acrylic (Optional)
<b>Other</b>		
<b>MTBF</b>		MIL Hand book 217-F@ TBD hrs
<b>Certifications</b>		Designed to meet FCC, CE and UL certifications, where applicable
<b>Standards</b>		VadaTech is certified to both the ISO9001:2000 and AS9100B:2004 standards
<b>Warranty</b>		Two (2) years

## INTEGRATION SERVICES AND APPLICATION-READY PLATFORMS

VadaTech has a full ecosystem of ATCA and  $\mu$ TCA products including chassis platforms, shelf managers, AMC modules, Switch and Payload Boards, Rear Transition Modules (RTM), Power Modules, and more. The company also offers integration services as well as pre-configured Application-Ready Platforms. Please contact VadaTech Sales for more information.

# Ordering Options

## ATC121 – ABC-000-0HJ

<b>A = On-Board Shelf Manager</b> 0 = None 1 = VT003 included		
<b>B = mSATA Size *</b> 0 = None 1 = Reserved 2 = Reserved 3 = Reserved 4 = Reserved		<b>H = Temperature Range</b> 0 = Commercial 1 = Industrial
<b>C = TPM</b> 0 = None 1 = Installed		<b>J = Conformal Coating</b> 0 = None 1 = Humiseal 1A33 Polyurethane 2 = Humiseal 1B31 Acrylic

\* Please call VadaTech Sales for mSATA size

## Related Products

VT830



- 19" rackmount 6U ATCA Chassis with integrated Switch and Shelf Manager
- 10GbE/GbE Managed Layer 2
- 40GbE/10GbE/GbE Managed Layer 3

ATC806



- 40G or 10G ATCA switch, compliant to PICMG 3.1 specifications
- Scalable throughput based on desired performance level
- Managed Layer 3 software

ART121



- AdvancedTCA RTM for ATC121
- Layer 2 managed Ethernet switch
- USB Ports

# Contact

## VadaTech Corporate Office

198 N. Gibson Road, Henderson, NV 89014  
Phone: +1 702 896-3337 | Fax: +1 702 896-0332

## Asia Pacific Sales Office

7 Floor, No. 2, Wenhui Street, Neihu District, Taipei 114, Taiwan  
Phone: +886-2-2627-7655 | Fax: +886-2-2627-7792

## VadaTech European Sales Office

VadaTech House, Bulls Copse Road, Southampton, SO40 9LR  
Phone: +44 2380 016403

info@vadatech.com | www.vadatech.com

# Choose VadaTech

## We are technology leaders

- First-to-market silicon
- Constant innovation
- Open systems expertise

## We commit to our customers

- Partnerships power innovation
- Collaborative approach
- Mutual success

## We deliver complexity

- Complete signal chain
- System management
- Configurable solutions

## We manufacture in-house

- Agile production
- Accelerated deployment
- AS9100 accredited



## Trademarks and Disclaimer

The VadaTech logo is a registered trademark of VadaTech, Inc. Other registered trademarks are the property of their respective owners. AdvancedTCA™ and the AdvancedMC™ logo are trademarks of the PCI Industrial Computers Manufacturers Group. All rights reserved. Specification subject to change without notice.

© 2017 VadaTech Incorporated, All rights reserved.

DOC NO. 4FM737-12 REV 01 | VERSION 4.2- FEB/17



**vadatech**  
THE POWER OF VISION