

## ATC122 – PCIe Gen 3 ATCA Carrier with Low-Power Xeon E3

ATCA PCIe Gen 3 Carrier



\* Photo is shown with an optional NVIDIA GPGPU installed

### KEY FEATURES

- ATCA Processing Carrier with a standard PCIe edge Module
- Xeon E3-1268L V3 Processor with 32 GB ECC
- Quad Core @ 2.3 GHz or Turbo Frequency @ 3.3 GHz
- x16 standard PCIe Gen 3 slot
- Dual 10GbE to Fabric channels
- Dual GbE to Base channels
- Dual GbE to the front panel
- Display Port (DP) and VGA
- RS-232 to the front panel
- Quad USB 3.0 on the front panel
- On board mSATA socket
- TPM (Optional)
- RoHS compliant

**Advanced TCA®**

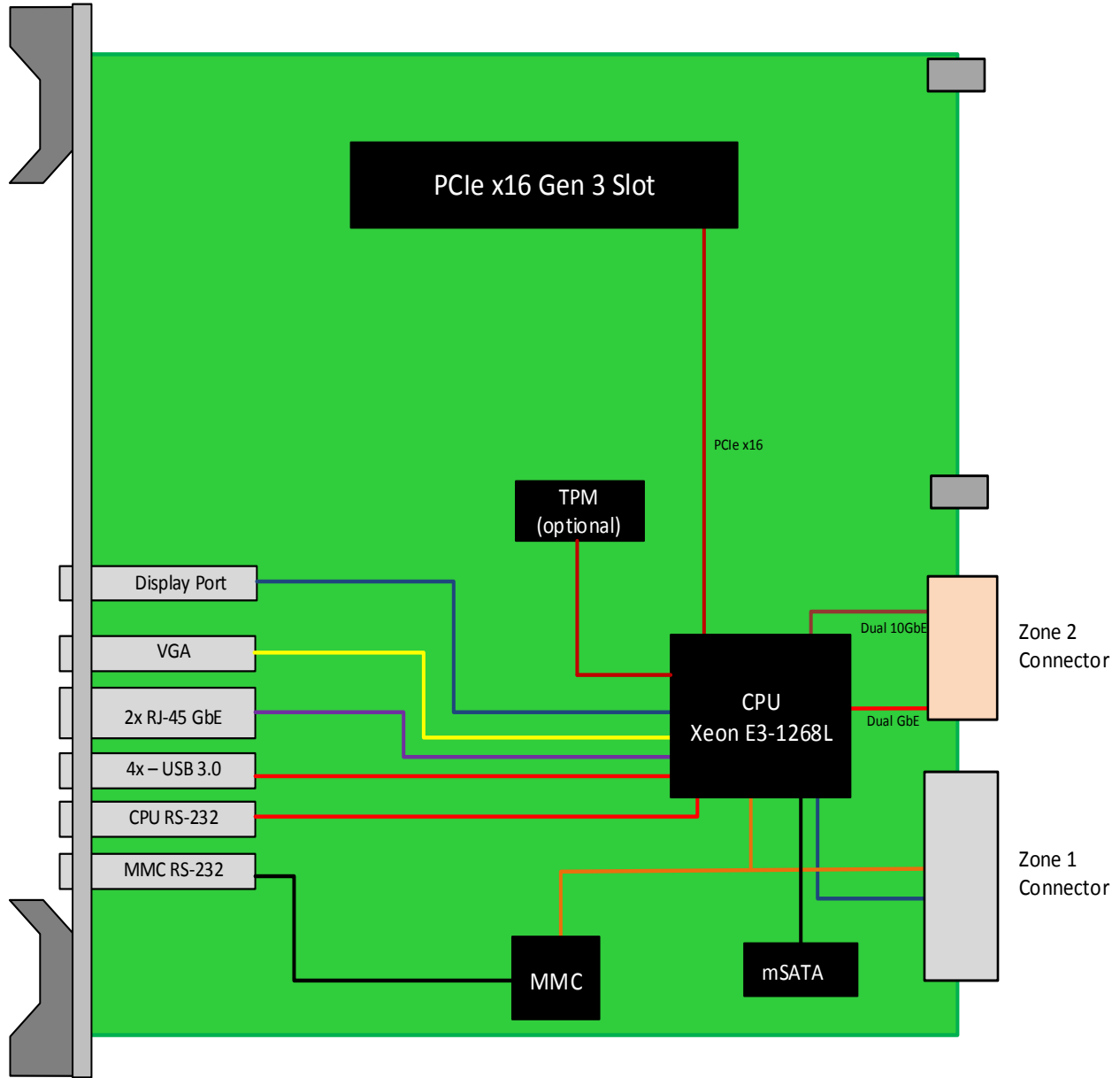
### Benefits of Choosing VadaTech

- Combined standard edge-type PCIe Gen 3 I/O with a lower power Xeon CPU
- Design utilizes proven VadaTech subcomponents and engineering techniques
- Electrical, mechanical, software, and system-level expertise in house
- Full ecosystem of front and rear boards, enclosures, specialty modules, and test/dev products from one source
- AS9100 and ISO9001 certified company

The ATC122 is a Carrier Module with an on board x16 PCIe Gen3 slot to accept any standard PCIe edge type module. The modules has dual 10GbE going to the Fabric channels and dual GbE to the base channels. It comes with 32GB of ECC memory. It has four USB 3.0, DP, VGA, RS-232, and dual GbE that are on the front panel. The ATC122 has an option for the TPM (Trusted Platform Management).

The ATC122 can accommodate a dual width PCIe module with the dual width ATCA front panel option, expanding the board pitch from 1.2" to 2.4".

## BLOCK DIAGRAM



## SPECIFICATIONS

Architecture		
Physical	Dimensions	Width: 12.687" (322.25 mm)
		Depth: 11.024" (280 mm)
Type	ATCA Carrier	PCIe x16 standard edge
Standards		
PCIe	Type	x16 PCIe Gen3
PICMG	ATCA	PICMG 3.0 R2.0
Configuration		
Power	ATC122	80W without PCIe I/O module
Environmental	Temperature	Operating Temperature: -5° to 55°C (Air flow requirements is to be greater than 200 LFM)
		Available in industrial temperature range
		Storage Temperature: -40° to +60°C
	Vibration	0.5 G RMS, 20 to 20000 Hz random (operating)
		6 Gs RMS (non-operating)
	Shock	30 Gs on each axis
	Relative Humidity	5 to 95 per cent, non-condensing
Front Panel	Front panel	4x USB 3.0
		VGA
		2x RJ-45 GbE
		DP
		2x RJ-45 RS-232
	Status LED	
Software Support	Operating System	Linux/Windows/VxWorks
Conformal Coating		Humiseal 1A33 Polyurethane (Optional)
		Humiseal 1B31 Acrylic (Optional)
Other		
MTBF		MIL Handbook 217-F@TBD Hrs
Certifications		Designed to meet FCC, CE and UL certifications where applicable
Compliance		PICMG 3.0 Rev 3.0, RoHS 2.
Standards		VadaTech is certified to both the ISO9001:2000 and AS9100B:2004 standards
Warranty		Two (2) years

### INTEGRATION SERVICES AND APPLICATION-READY PLATFORMS

VadaTech has a full ecosystem of ATCA and  $\mu$ TCA products including chassis platforms, shelf managers, AMC modules, Switch and Payload Boards, Rear Transition Modules (RTM), Power Modules, and more. The company also offers integration services as well as pre-configured Application-Ready Platforms. Please contact VadaTech Sales for more information

### Trademarks and Disclaimer

The VadaTech logo is a registered trademark of VadaTech, Inc. Other registered trademarks are the property of their respective owners. AdvancedTCA™ and the AdvancedMC™ logo are trademarks of the PCI Industrial Computers Manufacturers Group. All rights reserved. Specification subject to change without notice.

# ATC122 – PCIe Gen 3 ATCA Carrier with Low-Power Xeon E3

## ORDERING OPTIONS

### ATC122 – ABC – 000 – 0HJ

#### A = ATCA Panel

- 0 = Standard width (1.2")
- 1 = Double width (2.4") to accept dual width PCIe module

#### B = mSATA Size\*

- 0 = None
- 1 = 1 TB
- 2 = Reserved
- 3 = Reserved
- 4 = Reserved

#### C = TPM

- 0 = None
- 1 = Installed

#### H = Temperature Range

- 0 = Commercial
- 1 = Industrial

#### J = Conformal Coating

- 0 = None
- 1 = Humiseal 1A33 Polyurethane
- 2 = Humiseal 1B31 Acrylic

\*Please call VadaTech Sales for mSATA size

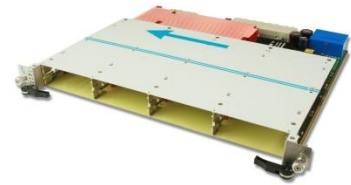
## RELATED PRODUCTS



VT830 6U ATCA SlotSaver Chassis



ATC806 40G/10G Switch w/Dual AMCs



ATC133 ATCA Quad AMC Carrier, FPGA

## CONTACT US

#### VadaTech Corporate Office

198 N. Gibson Rd.  
Henderson, NV 89014  
Email: [info@vadatech.com](mailto:info@vadatech.com)  
Telephone: (702) 896-3337  
Fax: (702) 896-0332

#### Asia Pacific Sales Office

7th Floor, No. 2, Wenhui Street, Neihu District, Taipei City, Taiwan 11445  
Email: [info@vadatech.com](mailto:info@vadatech.com)  
Telephone: +886-2-2627-7655  
Fax: +886-2-2627-7792

#### VadaTech European Sales Office

Ocean Village Innovation Centre, Ocean Way, Ocean Village, Southampton, SO14 3JZ  
Email: [info@vadatech.com](mailto:info@vadatech.com)  
Telephone: +44 2380 381982  
Fax: +44 2380 381983