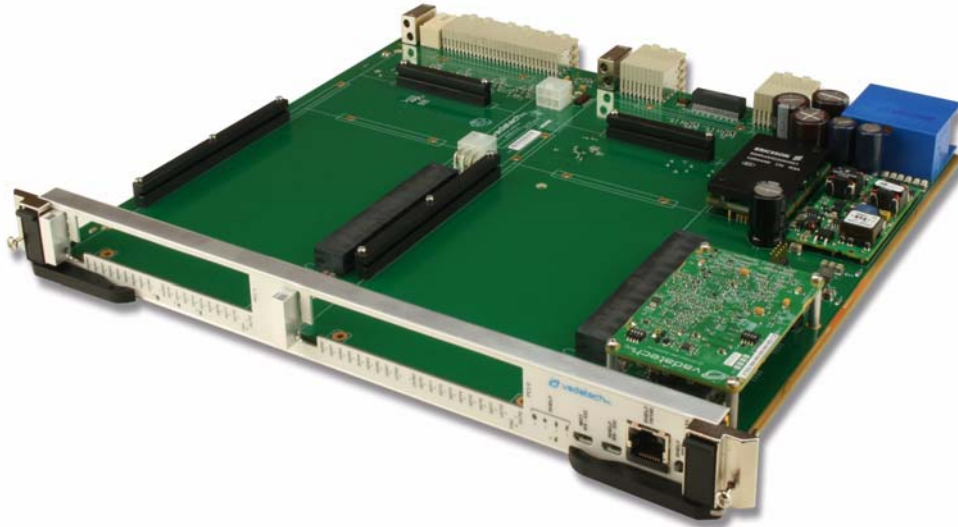


## ATC131



### KEY FEATURES

- Two PCI Express x16 slots
- Configurable PCIe lanes as x1, x2, x4 or x8
- Dual 10GbE Fabric Channel ports are routed to the Zone three
- Dual 1GbE from the base channel are routed to the Zone three
- Adjustable holddown brackets
- Advanced TCA 3.0 Release 2.0 compliant
- Option for on board shelf manager
- IPMI Version 2.0 compliant
- RoHS compliant
- OS support for:
  - Linux
  - Windows
  - Solaris
  - VxWorks

The ATC131 provides two PCIe x16-style right angle connectors that can accept any PCIe standard size card. The PCIe lanes (x8) per slot are routed to the Zone three connector. The ATC131 can mate to the host via a Rear Transition Module (i.e. ART131 product).

This modular approach allows an AdvancedTCA chassis to utilize widely available high-end PCIe cards, such as PC graphics cards, to capitalize on the economies of scale within the PC market.

The ATC131 has a Management CPU that handles the e-keying and FRU information with the host.

The ATC131 allows for an on board shelf manager. The module utilizes VadaTech second generation shelf manger (consult the VT002 Data sheet for more detail). With dual ATC131 in the chassis the shelf manger is redundant.

**AdvancedTCA®**

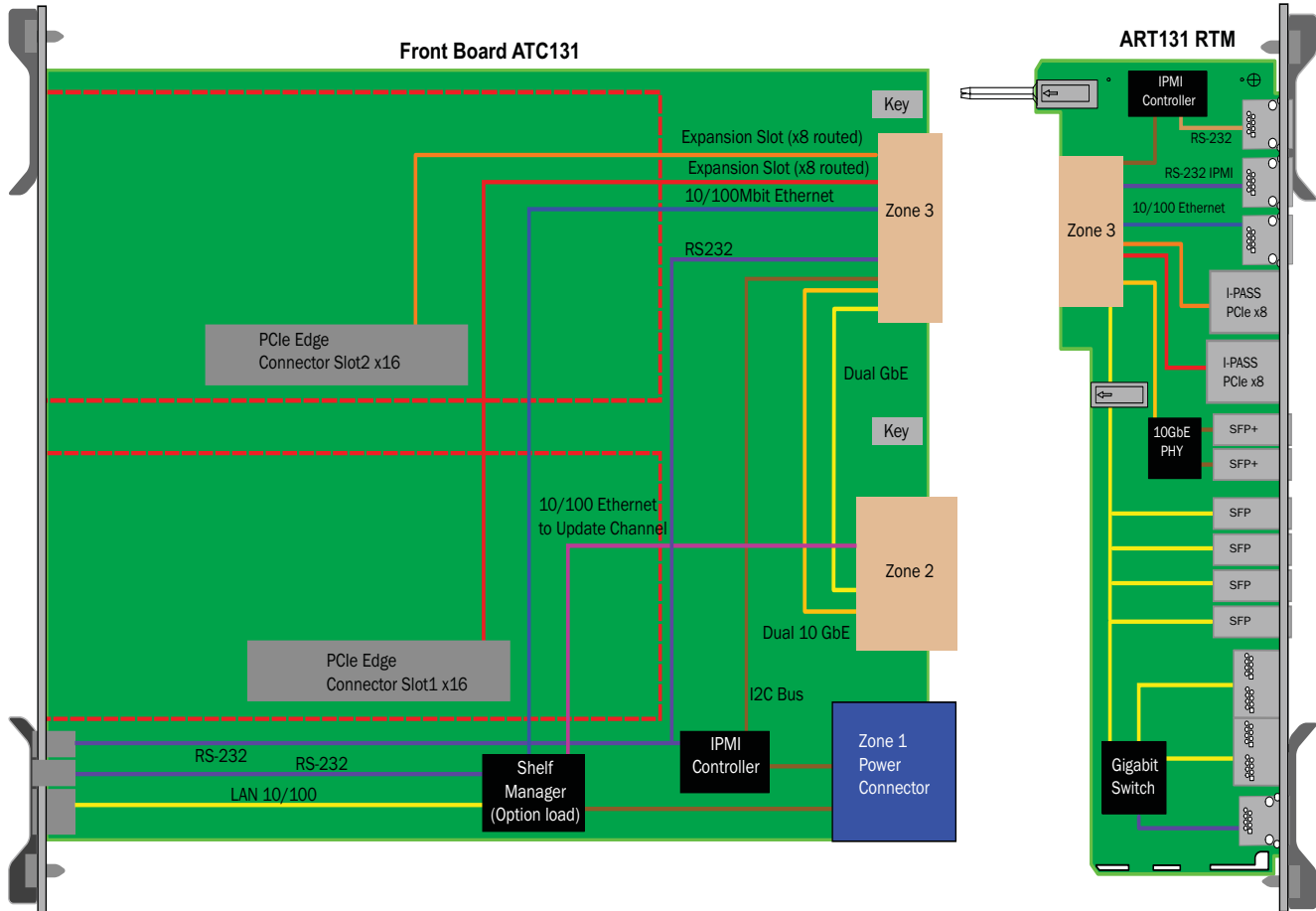
# ATCA Carrier for Two PCIe Modules

## SPECIFICATIONS

Architecture		
Physical	Dimensions	Width: 12.69 in. (322.25 mm)
		Depth: 11.02 in. (280 mm)
Type	ATCA Carrier	Two PCIe cards
Standard		
Module Management	IPMI	IPMI Version 2.0
PCIe	Lanes	PCIe x8 lanes from each slot is routed to the Zone 3
PICMG	ATCA	PICMG 3.0 R2.0
Configuration		
Power	ATC131	2W with no PCIe cards
		Up to 300 watts is available for the PCIe cards
Environmental	Temperature	Operating Temperature: 0° to 60° C (Air flow requirement is to be greater than 400 LFM)
		Storage Temperature: -40° to +90° C
	Vibration	1G, 5-500Hz each axis
	Shock	30Gs each axis
Rear I/O	Zone Three**	PCIe x8 lanes are routed to the rear for expandability
		PCIe Lane Good LEDs
		IPMI Debug port
		Interface Connectors
Front Panel	LEDs	Management LED
	Mechanical	Hot Swap Ejector Handle
	Software Support	Operating Systems
Other		
MTBF	MIL Hand Book 217-F > TBD Hrs.	
Certifications	Designed to meet FCC, CE and UL certifications where applicable	
Standards	VadaTech is certified to both the ISO9001:2000 and AS9100B:2004 standards	
Compliance	RoHS and NEBS	
Warranty	Two (2) years	
Trademarks and Logos	The VadaTech logo is a registered trademark of VadaTech, Inc. Other registered trademarks are the property of their respective owners. AdvancedTCA™ and the AdvancedMC™ logo are trademarks of the PCI Industrial Computers Manufacturers Group. All rights reserved. Specification subject to change without notice.	

# ATCA Carrier for Two PCIe Modules

**FIGURE 1.** ATC131 Functional Block Diagram and a typical application (the module could run standalone)



# ATCA Carrier for Two PCIe Modules

## ORDERING OPTIONS

ATC131 - A00 - 000 - OHJ\*

**A = Shelf Manager Option**

- 0 = None
- 1 = With Shelf Manager

**H = Operating Temp**

- 0 = Commercial
- 1 = Industrial

**J = Conformal Coating**

- 0 = None
- 1 = Humiseal 1A33 Polyurethane
- 2 = Humiseal 1B31 Acrylic

\*VadaTech can design custom Rear Transition Modules (RTMs) for this product or any ATCA carrier board with a minimum order and no NRE.

