

### KEY FEATURES

- PCIe x4 lanes
- Available with copper or fiber ports
- Single fiber @ 2.5 Gb/s, dual fiber at 5 Gb/s and quad fiber @ 10 Gb/s
- RoHS compliant
- OS support for:
  - Linux
  - Windows
  - Solaris
  - VxWorks

The PCI103 is a standard PCIe x4 lane card that plugs into an available PCIe slot. This allows the host processor to utilize expansion cards on one of a number of expansion busses as if they were on the local PCIe bus. Supports PCIe expansion from a standard PC to the VadaTech ATC103/104/105/106/107/108/109 and AMC103 cards.

The PCI103 provides a PCIe x4 channel in fiber using LC type connectors or copper with an InfiniBand type connector.

VadaTech's PCI103 bridges the gap between the PCIe expansion bus and other expansion busses such as ATCA,  $\mu$ TCA, VME, CompactPCI or any custom form factor.

VadaTech can modify this product to meet special customer requirements without NRE (minimum order placement is required).

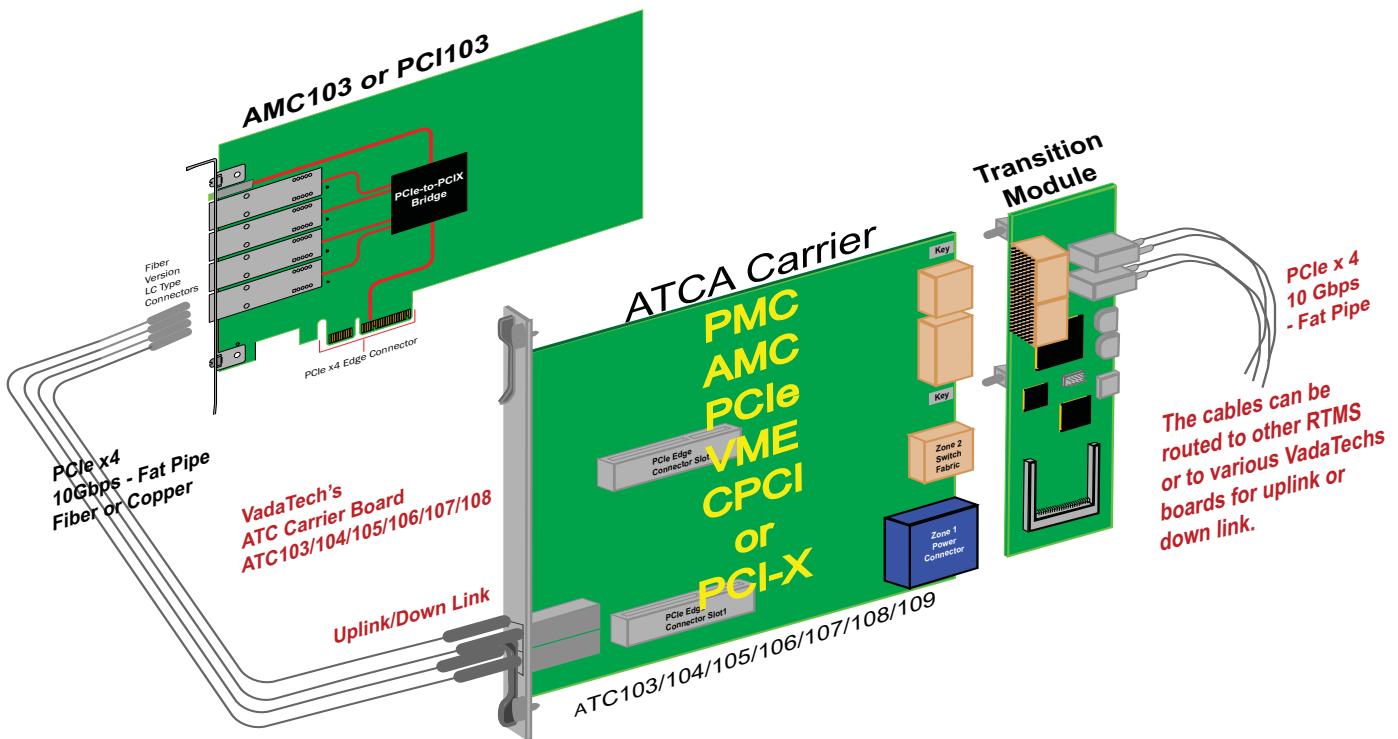
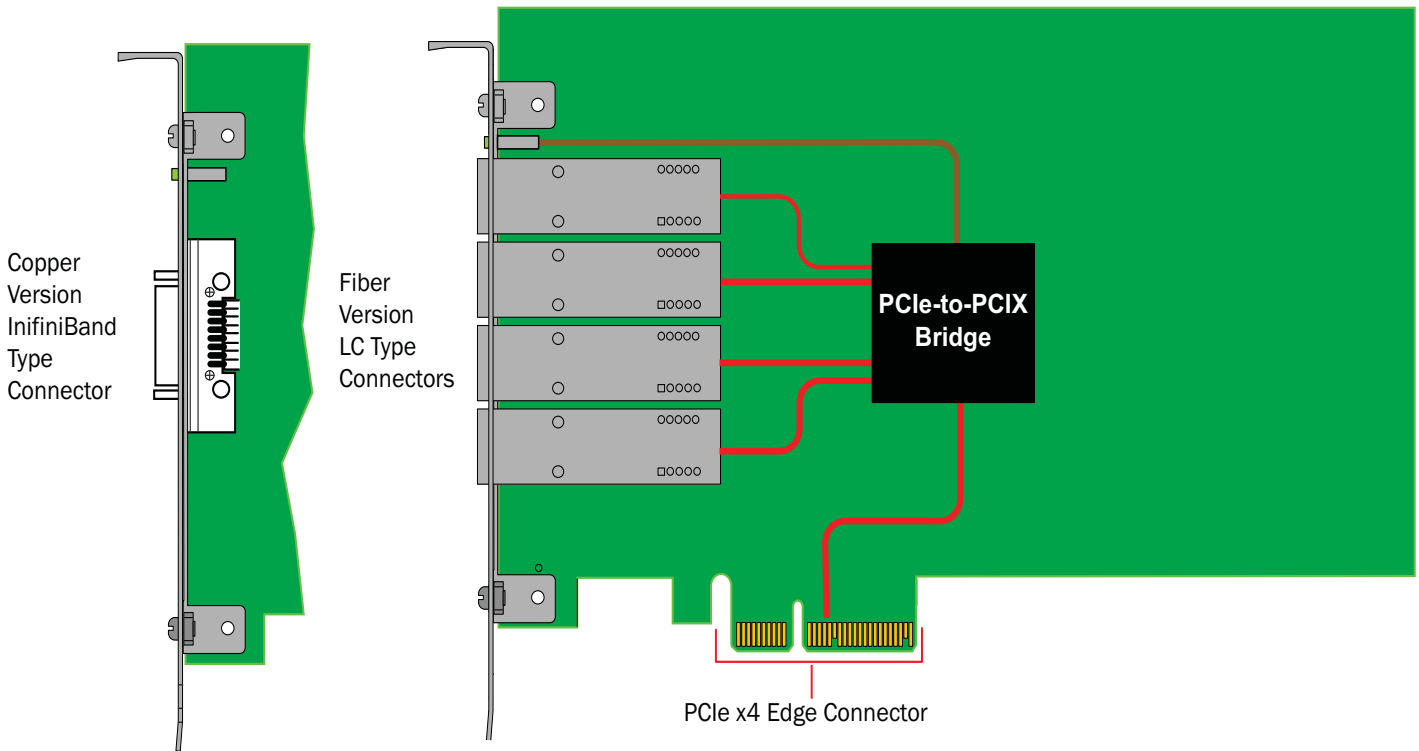
# PCIe Bus Expansion

## SPECIFICATIONS

| Architecture         |  |  |
|----------------------|--|--|
| Physical             | Dimensions   | Width: 4.2 in. (107 mm)                      |
|                      |  | Depth: 6.6 in. (156 mm)                      |
| Product              | PCIe Expansion   | Fiber or copper                              |
| Standards            |  |  |
| PCIe                 | Lanes  | x4   |
| Configuration        |  |  |
| Power                | PCI103   | Copper - 2W                                  |
|                      |  | Fiber - 5W                                   |
| Environmental        | Temperature  | Operating Temperature: 0° to 65° C           |
|                      |  | Storage Temperature: -40° to +90° C          |
|                      | Vibration  | 1G, 5-500Hz each axis                        |
|                      | Shock  | 30Gs each axis                               |
|                      | Relative Humidity  | 5 to 95 percent, non-condensing              |
| Interface Connectors | Rear   | Fiber with LC connectors                     |
|                      |  | Copper with InfiniBand type connectors       |
| Conformal Coating    |  | Humiseal 1A33 Polyurethane Conformal Coating |
|                      |  | Humiseal 1B31 Acrylic Conformal Coating      |
| Other                |  |  |
| MTBF                 | MIL Spec 217-F > 281,000 Hrs.  |  |
| Certifications       | Designed to meet FCC, CE and UL certifications where applicable  |  |
| Standards            | VadaTech is certified to both the ISO9001:2000 and AS9100B:2004 standards  |  |
| Compliance           | RoHS   |  |
| Warranty             | Two (2) years  |  |
| Trademarks and Logos | The VadaTech logo is a registered trademark of VadaTech, Inc. Other registered trademarks are the property of their respective owners. |  |

# PCIe Bus Expansion

**FIGURE 1.** PCI103 Functional Block Diagram and typical application



# PCIe Bus Expansion

## ORDERING OPTIONS

PCI103 - A00 - 000 - 00J

**A = Interface**

- 1 = Fiber LC/SX transceivers (850 nm)
- 2 = Fiber LC/LX transceivers (1310 nm)
- 3 = Copper
- 4 = Reserved

**J = Conformal Coating**

- 0 = None
- 1 = Humiseal 1A33 Polyurethane
- 2 = Humiseal 1B31 Acrylic



Document No. \_\_\_\_\_ Date: July 20 2007

