

VT038 – Shelf Manager for VT835/VT836 3U AdvancedTCA Shelf

Photo Coming Soon

KEY FEATURES

- Shelf manager for use in VT835/VT836 AdvancedTCA shelf
- Single module, full-size
- Redundant failover between the two shelf managers
- Quad Core ARM Freescale processor @ 1 GHz per core
- 1 GB DDR3 memory
- FRAM for log messages
- 32 GB of Flash
- 8 GB of NAND Flash
- 10/100 Ethernet port
- RS-232 ports
- I2C Real Time Clock with battery backup
- Rich set of Management software (refer to the VT003 specification for all software components) such as HPI, RMCP, SNMP, CLI, HTTP, etc
- IPMI 2.0 compliant
- RoHS compliant

Benefits of Choosing VadaTech

- Incorporates VadaTech's 3rd generation shelf manager with HTTP, SNMP, HPI, RMCP, CLI and other software features
- Efficient re-use of existing designs/components reduce costs
- Electrical, mechanical, software, and system-level expertise in house
- Full system supply from industry leader
- AS9100 and ISO9001 certified company

The VadaTech VT038 is VadaTech Shelf Manager for VT836/VT835 Shelf based on the Vadatech's 3rd generation VT003.

The VT038 can run as a protocol analyzer to monitor, inject, capture and validate I2C traffic on the Intelligent Platform Management Bus (IPMB). A Graphical User Interface (GUI) validates and displays the IPMB messages for injection into the shelf. The GUI application communicates with the VT038 through the Ethernet port.

When two VT038s are in the system, they operate in redundant active/standby mode. During operation one VT038 is active while the second one is synchronized in hot standby mode. The VT038 is fully hot-swappable to minimize service down time.

Lithium Battery and/or Super CAP for the Real Time Clock.

VT038 – Shelf Manager for VT835/VT836 3U AdvancedTCA Shelf

BLOCK DIAGRAM

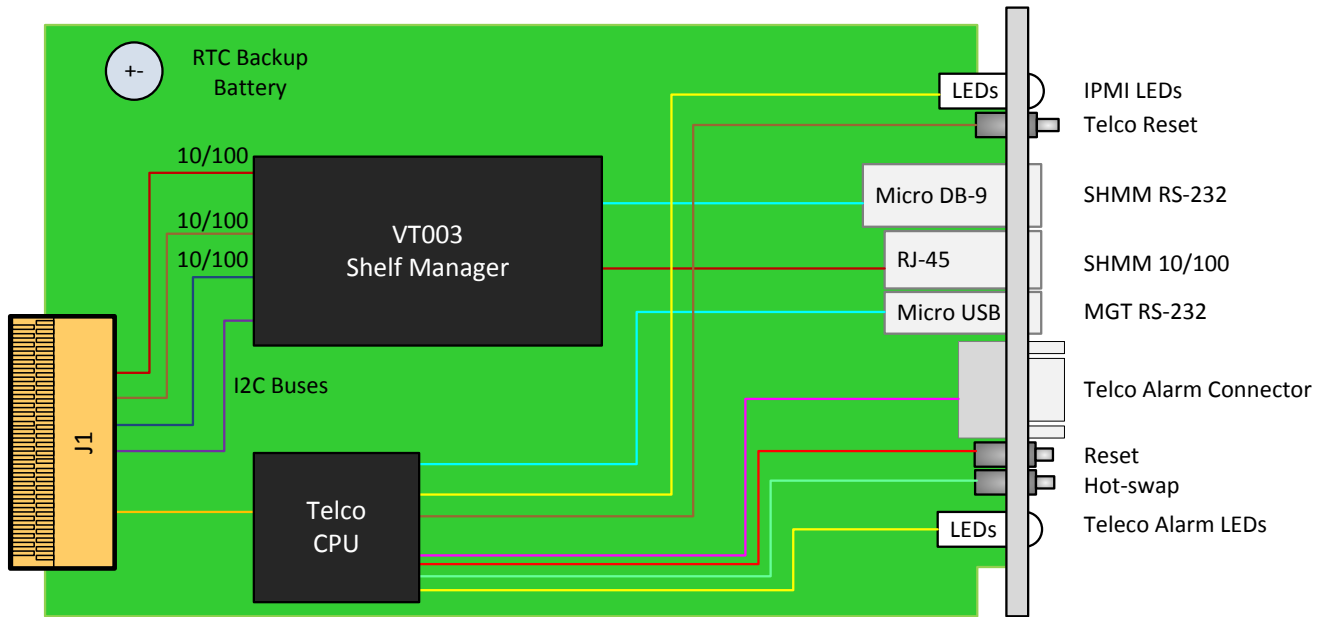


Figure 1: VT038 Block Diagram

FRONT PANEL

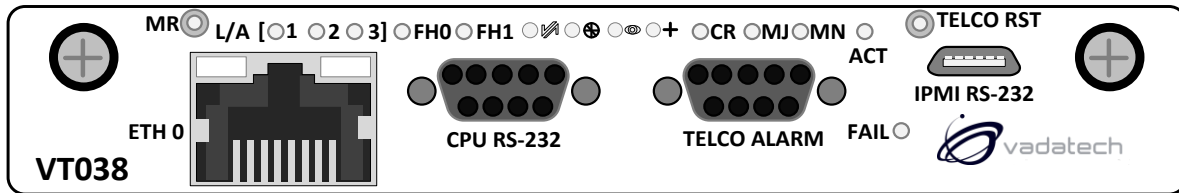


Figure 2: VT038 Front Panel View

SCORPIONWARE™ SOFTWARE

VadaTech's Scorpionware software can be used to access information about the current state of the Shelf or the Carrier, obtain information such as the FRU population, or monitor alarms, power management, current sensor values, and the overall health of the Shelf. The software GUI is very powerful, providing a Virtual Carrier and FRU construct for a simple, effective interface.

PROTOCOL ANALYZER

VT038 can be used as an IPMI protocol analyzer. Figure 3 shows an example trace viewer output.

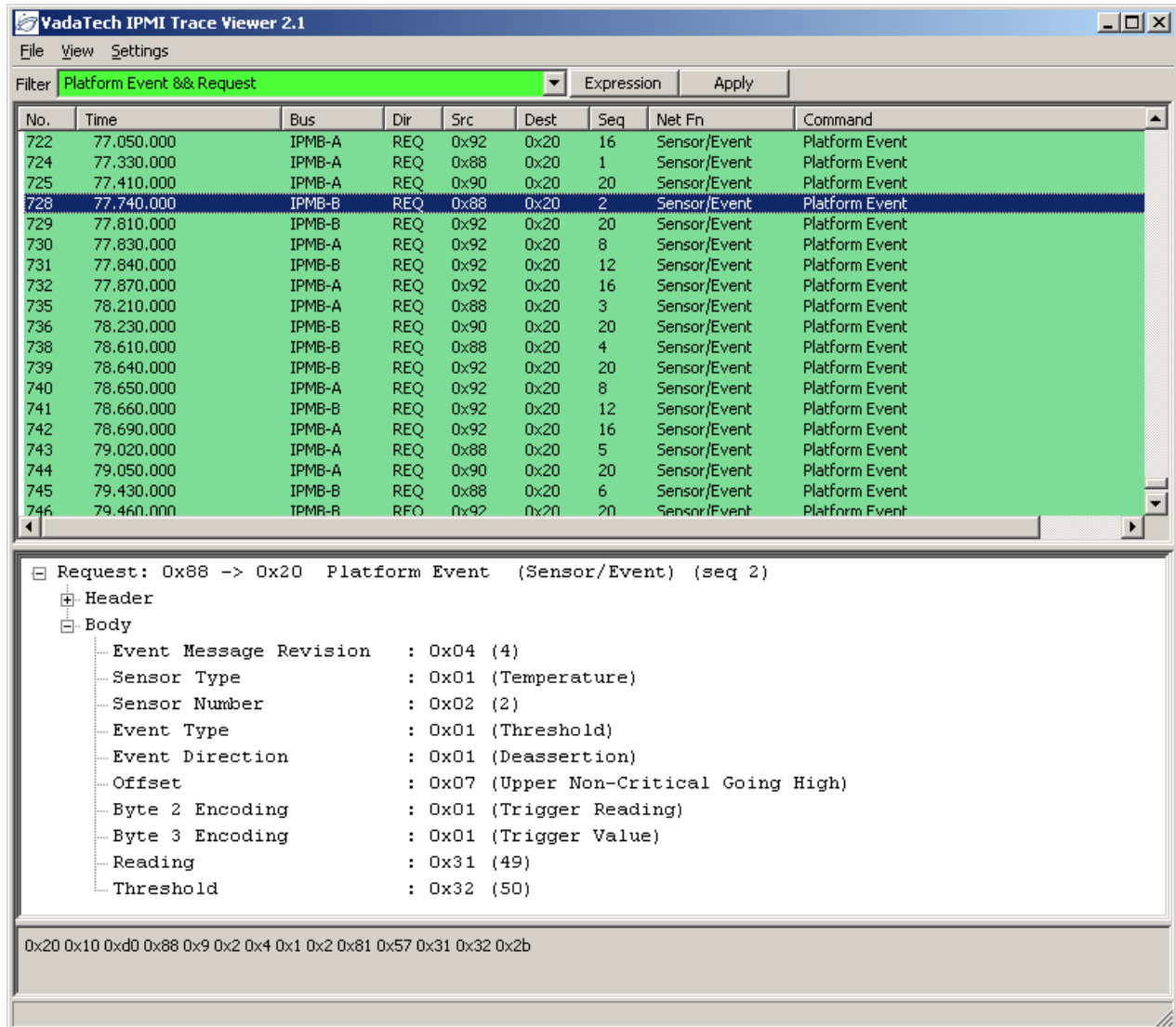


Figure 3: VT038 IPMI Protocol Analyzer – Trace Viewer Output Example

SPECIFICATIONS

Architecture		
Physical	Dimensions	Length:
		Width:
		Depth:
Type	ATCA Shelf Manager	Designed for VT835/VT836 Shelf
Standards		
Module Management	IPMI	IPMI Version 2.0 and PICMG 3.0
Configuration		
Power	VT038	4W
Environmental	Temperature	Operating temperature: 0° to 55°C (See environmental spec sheet)
		Storage Temperature: -40° to +90° C
	Vibration	Operating 9.8 m/s ² (1G), 5 to 500 Hz
	Shock	30Gs on each axis
Front Panel	Relative Humidity	5 to 95 percent, non-condensing
	LEDs	IPMI management control
		Telco Alarm, Link/Activity
	Connectors	ShMM 10/100, ShMM RS-232 via Micro-DB9
		MGT RS-232 via micro USB
		Telco Alarm via micro DB-15
Push button	Hot-swap, reset, lamp test and telco alarm reset	
Other		
MTBF	MIL Handbook 217-F@TBD Hrs	
Certifications	Designed to meet FCC, CE and UL certifications where applicable	
Compliance	RoHS and NEBS	
Standards	Standards VadaTech is certified to both the ISO9001:2000 and AS9100B:2004 standards	
Warranty	Two (2) years	

INTEGRATION SERVICES AND APPLICATION-READY PLATFORMS

VadaTech has a full ecosystem of ATCA and μ TCA products including chassis platforms, shelf managers, AMC modules, Switch and Payload Boards, Rear Transition Modules (RTM), Power Modules, and more. The company also offers integration services as well as pre-configured Application-Ready Platforms. Please contact VadaTech Sales for more information.

Trademarks and Disclaimer

The VadaTech logo is a registered trademark of VadaTech, Inc. Other registered trademarks are the property of their respective owners. AdvancedTCA™ and the AdvancedMC™ logo are trademarks of the PCI Industrial Computers Manufacturers Group. All rights reserved. Specification subject to change without notice.

VT038 – Shelf Manager for VT835/VT836 3U AdvancedTCA Shelf

ORDERING OPTIONS

VT038 – 0B0 – 000 – 0HJ

B = Battery

- 0 = None
- 1 = Lithium
- 2 = Super Cap
- 3 = Lithium and super cap

H = Operating Temperature

- 0 = Commercial
- 1 = Industrial

J = Conformal Coating

- 0 = None
- 1 = Humiseal 1A33 Polyurethane
- 2 = Humiseal 1B31 Acrylic

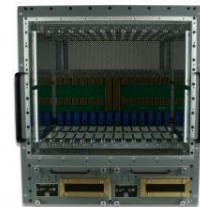
RELATED PRODUCTS



VT825 13U AdvancedTCA Shelf



VT011 – Shelf Manager for ATCA



VT820 12U ATCA Shelf, Rugged

CONTACT US

VadaTech Corporate Office

198 N. Gibson Rd,
Henderson, NV 89014
Email: info@vadatech.com
Telephone: +1 702 896-3337
Fax: +1 702 896-0332

Asia Pacific Sales Office

7 Floor, No. 2, Wenhui Street, Neihu District,
Taipei 114, Taiwan
Email: info@vadatech.com
Telephone: +886-2-2627-7655
Fax: +886-2-2627-7792

VadaTech European Sales Office

VadaTech House, Bulls Copse Road,
Southampton, SO40 9LR
Email: info@vadatech.com
Telephone: +44 2380 016403