

KEY FEATURES

- AMC.1
- Single-width, mid-height (full-height option available)
- 12 Gigabit Ethernet ports
- PCIe Gen2 x4 or x8 lanes to Ports 4-11
- IPMI 2.0 compliant
- RoHS compliant
- OS support for:
 - Linux
 - Windows
 - Solaris
 - VxWorks

The AMC239 is a 12 port Gigabit Ethernet (GbE) AdvancedMC™ (AMC) module. VadaTech offers this product in a single-width, mid-height form factor based on the AMC.1 specification (option for full-height design, see ordering options). The module utilizes two MRJ-21 connectors to provide the 12 ports to the front.

The AMC239 is based on the latest Intel® Gigabit Ethernet controller (82580 chip).

VadaTech can modify this product to meet special customer requirements without NRE (minimum order placement is required).

AdvancedMC™

AMC 12 Port Gigabit Ethernet

SPECIFICATIONS

Architecture		
Physical	Dimensions	Single-Width, Mid-Height (Full-Height option)
		Width: 2.89 in. (73.5 mm)
		Depth: 7.11 in. (180.6 mm)
Type	AMC GbE	12 port Gigabit Ethernet
		10/100/1000 Mbps operation - Copper
		IP, TCP, and UDP checksum off load capabilities, Stateless off loads (Header split, RSS)
		UDP/TCP transmit segmentation Off load (TSO), SCTP receive and transmit checksum off load
Standards		
AMC	Type	AMC.1
Module Management	IPMI	IPMI Version 2.0
PCIe	Lanes	Gen2 x4 or x8
Configuration		
Power	AMC239	13W
Environmental	Temperature	Operating Temperature: 0° to 65° C (Air flow requirement is to be greater than 200 LFM)
		Storage Temperature: -40° to +90° C
	Vibration	1G, 5-500Hz each axis
	Shock	30Gs each axis
Front Panel	Relative Humidity	5 to 95 percent, non-condensing
	Interface Connectors	Dual MRJ-21 connectors
	LEDs	IPMI Management Control
		Activity and Link, PCIe Lane Good
Mechanical	Hot Swap Ejector Handle	
Software Support	Operating Systems	Linux, Windows, Solaris and VxWorks
Other		
MTBF	MIL Handbook 217-F >TBD	
Certifications	Designed to meet FCC, CE and UL certifications where applicable	
Standards	VadaTech is certified to both the ISO9001:2000 and AS9100B:2004 standards	
Compliance	RoHS and NEBS	
Warranty	Two (2) years	
Trademarks and Logos	The VadaTech logo is a registered trademark of VadaTech, Inc. Other registered trademarks are the property of their respective owners. AdvancedMC™ and the AdvancedTCA™ logo are trademarks of the PCI Industrial Computers Manufacturers Group. All rights reserved. Specification subject to change without notice.	

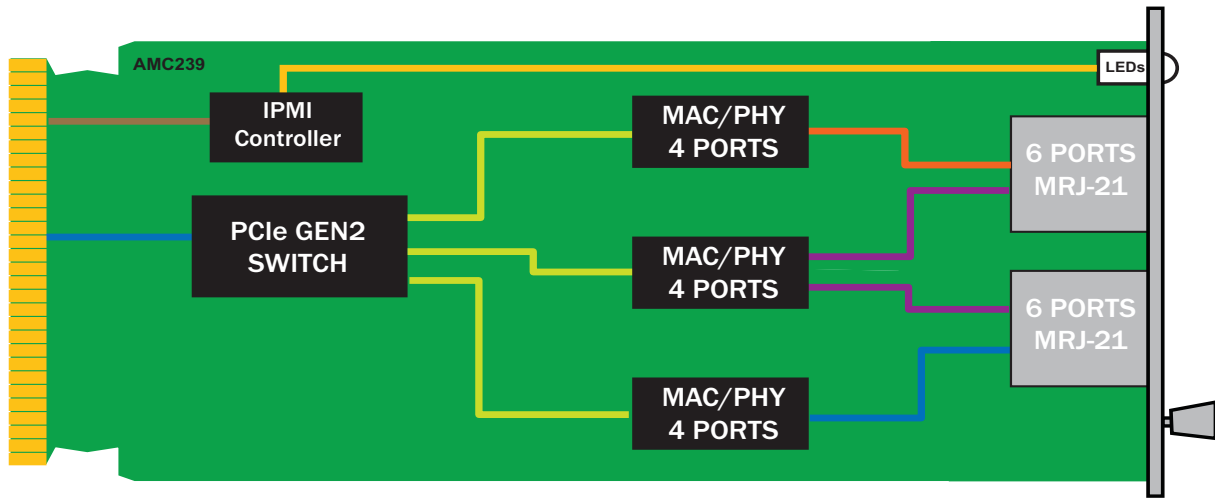


FIGURE 1. AMC239 Functional Block Diagram

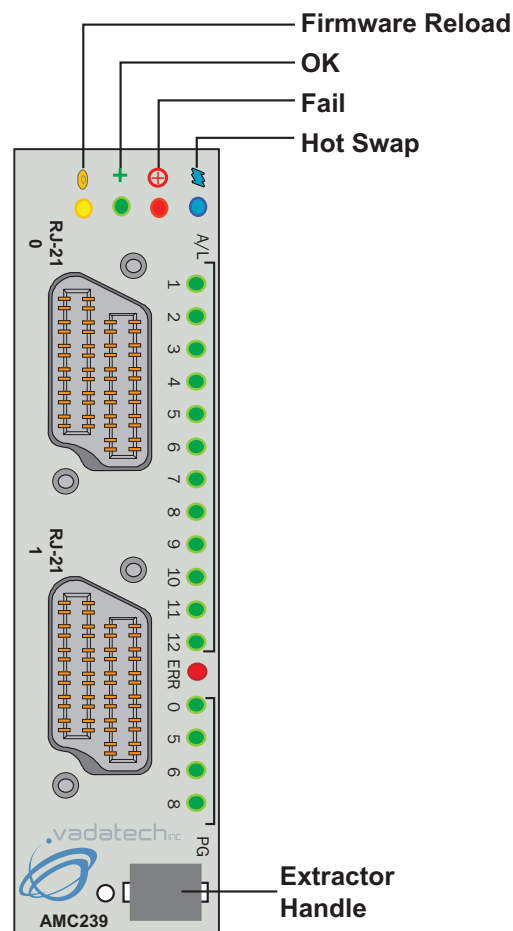


FIGURE 2. AMC239 Front Panel

ORDERING OPTIONS

AMC239 - AOC - 000 - OHJ

A = Interface

- 0 = PCIe Gen2 x4 (ports 4-7)
- 1 = PCIe Gen2 x8 (ports 4-11)

C = Front Panel Height

- 1 = Reserved
- 2 = Mid-Height
- 3 = Full-Height

H = Operating Temp

- 0 = Commercial (0° to +65°)
- 1 = Industrial (-20° to +70°)
- 2 = Military (-40° to +80°)

J = Conformal Coating

- 0 = None
- 1 = Humiseal 1A33 Polyurethane
- 2 = Humiseal 1B31 Acrylic

