

AMC Dual Channel DVI/VGA with HDMI Video/Audio **AMC341**



KEY FEATURES

- Based on ATI graphics processor chipset
- Provides two separate high-performance Dual DVI or VGA Channels
- HDMI Connection for 480p, 720p, and 1080i
- AMC.1 compliant
- PCIe x4 or x8 lanes
- Single-width, mid-height or full-height (see ordering options)
- Support of the latest high-resolution and wide-screen displays such as QXGA (2048x1536) @ 75Hz, 2560x1600 @ 60Hz
- 128MB of GDDR3 Memory
- Analog Displays (VGA) 2048 x 1536
- Optimized for DirectX 10
- Optional "Y" adapter cable to convert the LFH connector to DVI-I connectors or VGA
- HDMI with Multi-channel 5.1 surround audio
- IPMI 2.0 compliant
- RoHS compliant
- OS support for:
 - Linux
 - Windows
 - Solaris
 - VxWorks

The AMC341 is VadaTech second generation AMC graphic module. Designed to meet the high performance real-world graphics needs of Military, Industrial and Telecom applications. The AMC341 is one of the fastest and most advanced, high-performance 2D and 3D graphics processors available for the AMC embedded market.

The board features ATI's graphics processor chipset which provides dual-channel DVI/VGA and HDMI Video/Audio support with up to 128Mbytes of GDDR3 memory. The display mode supports high screen resolutions up to 2560x1600 @ 60 Hz.

The AMC341 is AMC.1 compliant and is available in a single-width, mid or full-height AMC form factor. I/O connectivity is via an LFH front panel connector.

The AMC341 is available in Conduction Cooled.

VadaTech can modify this product to meet special customer requirements without NRE (minimum order placement is required).

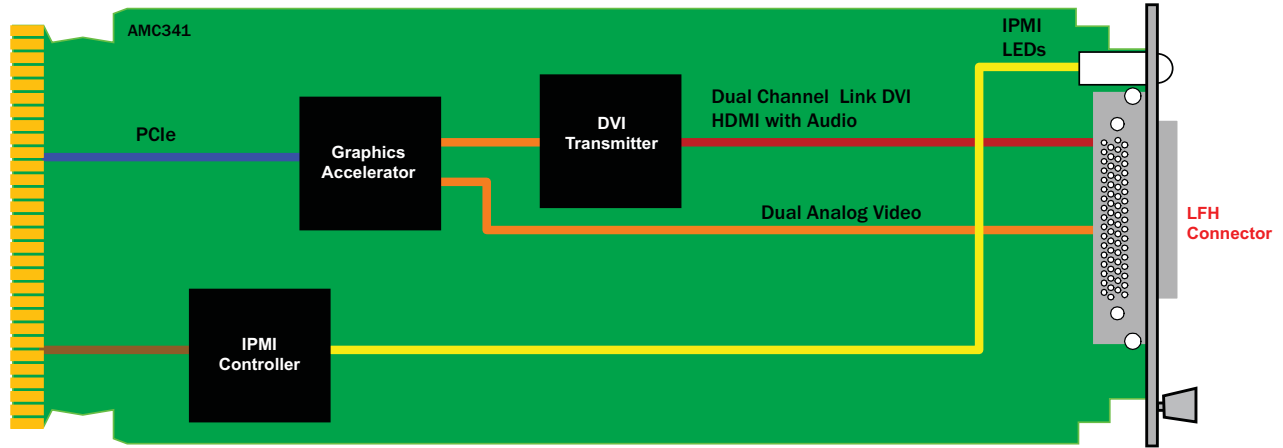
AdvancedMC™

AMC Dual Channel DVI/VGA with HDMI Video/Audio

SPECIFICATIONS

Architecture		
Physical	Dimensions	Single-Width, Mid-Height (with Full-Height option)
		Width: 2.89 in. (73.5 mm)
		Depth: 7.11 in. (180.6 mm)
Type	AMC Video	Dual Link DVI (HDMI) or VGA Video Adapter
	Dual Ports	Dual ports using "Y" Adapter Cable, either DVI or VGA (see ordering options)
	Video Resolution	Screen resolutions up to 2560x1600 @ 60 Hz
	Memory	128 MB of GDDR3 memory
Standards		
AMC	Type	AMC.1
Module Management	IPMI	IPMI Version 2.0
PCIe	Lanes	x4 or x8
Configuration		
Power	AMC341	5W
Environmental	Temperature	Operating Temperature: 0° to 65° C (Air flow requirement is to be greater than 200 LFM), Conduction cooled unit does not need any air flow
		Storage Temperature: -40° to +90° C
	Vibration	1G, 5-500Hz each axis
	Shock	30Gs each axis
	Relative Humidity	5 to 95 percent, non-condensing
Front Panel	Interface Connector	Low Force Helix (LFH) 60-pin connector
	Adapter	LFH to two DVI-I or LFH to two standard HD15 connectors (see notes)
	LEDs	IPMI Management Control
	Mechanical	Hot Swap Ejector Handle
Software Support	Operating Systems	Linux, Windows, Solaris and VxWorks
Other		
MTBF	MIL Spec 217-F TBD Hrs.	
Certifications	Designed to meet FCC, CE and UL certifications where applicable	
Standards	VadaTech is certified to both the ISO9001:2000 and AS9100B:2004 standards	
Compliance	RoHS and NEBS	
Warranty	Two (2) years	
Trademarks and Logos	The VadaTech logo is a registered trademark of VadaTech, Inc. Other registered trademarks are the property of their respective owners. AdvancedMC™ and the AdvancedTCA™ logo are trademarks of the PCI Industrial Computers Manufacturers Group. All rights reserved. Specification subject to change without notice.	
Notes	1. LFH to two DVI-I connectors "Y" adapter cable for digital displays can be ordered separately.	
	2. LFH to two standard HD15 connectors "Y" adapter cable for use with analog displays can be ordered separately.	

AMC Dual Channel DVI/VGA with HDMI Video/Audio



Note: A "Y" adapter cable is needed to take advantage of the dual displays. See ordering options for details.

FIGURE 1. AMC341 Functional Block Diagram

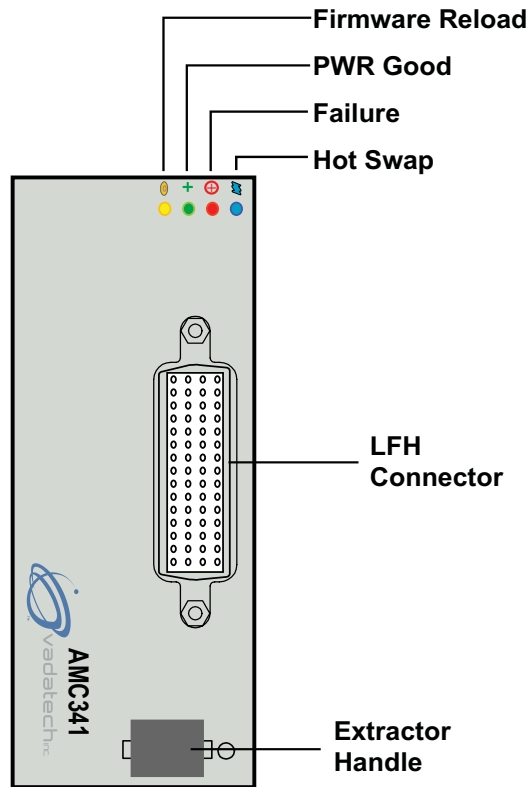


FIGURE 2. AMC341 Front Panel

ORDERING OPTIONS

A = Memory

1 = 128 MB GDDR3

B = Adapter Cable

0 = None

1 = LFH to two Link DVI-I ("Y" Cable)

2 = LFH to two VGA ("Y" Cable)

C = Front Panel Height

1 = Reserved

2 = Mid-Height

3 = Full-Height

AMC341 - ABC - DEF - OHJ

D = HDMI Adapter

0 = None

1 = DVI to HDMI

E = PCIe Interface lanes

0 = x4

1 = x8

H = Operating Temp

0 = Commercial (0° to +65°)

1 = Industrial (-20° to +70°)

2 = Military (-40° to +80°)

J = Conformal Coating

0 = None

1 = Humiseal 1A33 Polyurethane

2 = Humiseal 1B31 Acrylic

