

## 1.8" Dual SATA Drive, 6 Gbps RAID HBA – AMC622

1.8" Dual SATA Drive, HBA



### KEY FEATURES

- 1.8" SATA 6.0 Gbps drive HBA (Host Bus Adapter)
- AMC.1 x2 PCIe Gen 2
- Two SATA disks on a single AMC
- Independent disk or hardware RAID 0, 1, and 10
- Single-module, compact-size (mid and full-size options available)
- IPMI 2.0 compliant
- RoHS compliant

### Benefits of Choosing VadaTech

- 6 Gbps SATA drive provides twice the front-end transfer rate as previous VadaTech modules
- Removable disk drives, front drive can be removed without removing AMC
- Design utilizes proven VadaTech subcomponents and engineering techniques
- Electrical, mechanical, software, and system-level expertise in house
- AS9100 and ISO9001 certified company

The AMC622 is VadaTech second generation storage product for a 1.8" SATA disk drive in a single module, compact-size (mid or full-size optional) AdvancedMCT™ (AMC) form factor based on the AMC.1 specification. Drives can be SSD or Rotary with 6 Gbps SATA.

The module also supports an independent disk or integrated RAID 0, 1 and 10. The front SATA drive is swappable without removing the AMC from the chassis. The rear (2<sup>nd</sup>) SATA drive is latched down with screwed braces. It can be removed with some light disassembly on the AMC.

*VadaTech can modify this product to meet special customer requirements. Contact us to discuss your application.*

## BLOCK DIAGRAM

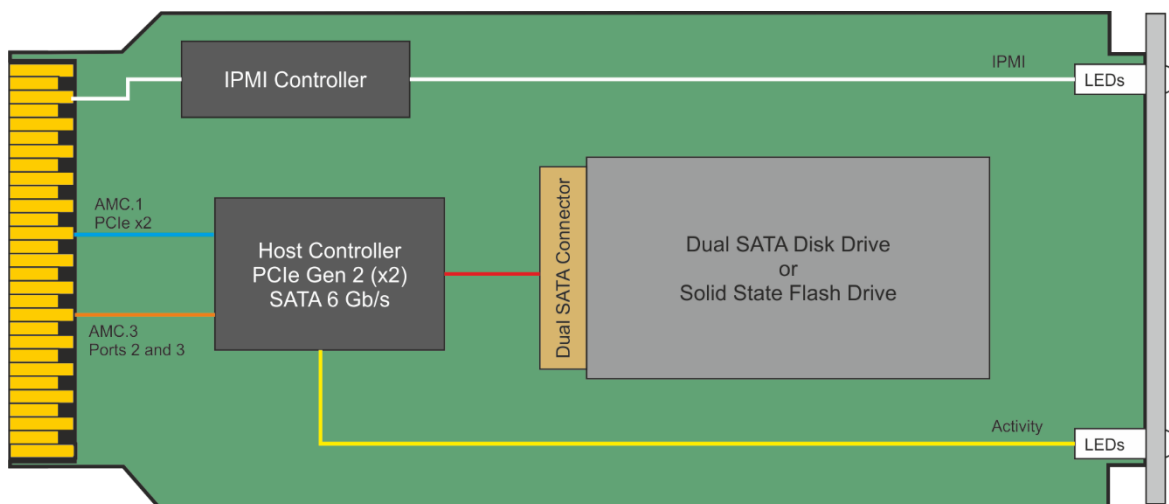


Figure 1: Block Diagram



Figure 2: Front Panel

## SPECIFICATIONS

Architecture		
Physical	Dimensions	Single module, mid-size (full-size option available) Width: 2.89" (73.5 mm) Depth: 7.11" (180.6 mm)
	Type	AMC Storage 1.8" Serial ATA drive Optional Solid State Drive (SSD) – contact sales for availability and capacity SATA transfer rate of 6 Gbps
Standards		
AMC	Type	AMC.1
Module Management	IPMI	IPMI v2.0
PCIe	Lanes	x2 PCIe Gen 2 lanes
Configuration		
Power	AMC622	2 W without the drive
Environmental	Temperature	Operating temperature: -5° to 55° C (air flow requirement of >100 LFM), industrial and military versions also available (See <a href="#">environmental spec sheet</a> ) Storage temperature: -40° to +70° C with the disk
	Vibration	SSD/Rotary disk dependent
	Shock	SSD/Rotary disk dependent
	Relative Humidity	5 to 95 percent, non-condensing
Front Panel	LEDs	IPMI management control Activity
	Mechanical	Hot swap ejector handle
Other		
MTFB	MIL Handbook 217-F@TBD Hrs	
Certifications	Designed to meet FCC, CE and UL certifications where applicable	
Compliance	RoHS and NEBS.	
Standards	VadaTech is certified to both the ISO9001:2000 and AS9100B:2004 standards	
Warranty	Two (2) years	
Trademarks and Disclaimer	The VadaTech logo is a registered trademark of VadaTech, Inc. Other registered trademarks are the property of their respective owners. AdvancedTCA™ and the AdvancedMC™ logo are trademarks of the PCI Industrial Computers Manufacturers Group. All rights reserved. Specification subject to change without notice	

# 1.8" Dual SATA Drive, 6 Gbps RAID HBA – AMC622

## ORDERING OPTIONS

### AMC622 – ABC – D00 – 0HJ

#### A = First SATA Drive Capacity

0 = None

1 = 240 GB SSD

2 = 360 GB SSD

3 = 480 GB SSD

4 = Reserved

5 = Reserved

(Contact sales for availability and size of larger drives)

#### B = Second SATA Drive Capacity

0 = None

1 = 240 GB SSD

2 = 360 GB SSD

3 = 480 GB SSD

4 = Reserved

(Contact sales for availability and size of larger drives)

#### C = Front Panel Size

1 = Compact-size

2 = Mid-size

3 = Full-size

#### D = AMC.3 Ports 2 and 3

0 = Not routed to HBA

1 = Routed to HBA

#### H = Temperature Range\*

0 = Commercial (-5 to +55° C)

1 = Industrial (-20 to +70° C)

2 = Military (-40 to +85° C)\*\*

#### J = Conformal Coating

0 = None

1 = Humiseal 1A33 Polyurethane

2 = Humiseal 1B31 Acrylic

\*SSD option is required for Industrial or Military grade

\*\* Edge of module for conduction-cooled boards

## RELATED PRODUCTS



EXP100 1U Express  
Development Platform



UTC002 MCH



UTC020 Power Module

## CONTACT US

### VadaTech Corporate Office

198 N. Gibson Rd.  
Henderson, NV 89014  
Email: [info@vadatech.com](mailto:info@vadatech.com)  
Telephone: +1 702 896-3337  
Fax: +1 702 896-0332

### Asia Pacific Sales Office

7th Floor, No. 2, Wenhui Street, Neihu District, Taipei  
City, Taiwan 11445  
Email: [info@vadatech.com](mailto:info@vadatech.com)  
Telephone: +886-2-2627-7655  
Fax: +886-2-2627-7792

### VadaTech European Sales Office

Ocean Village Innovation Centre, Ocean Way,  
Ocean Village, Southampton, SO14 3JZ  
Email: [info@vadatech.com](mailto:info@vadatech.com)  
Telephone: +44 2380 381982  
Fax: +44 2380 381983