

1.8" Quad SATA Drive, 6 Gbps RAID HBA – AMC623

1.8" Quad SATA Drive, HBA



KEY FEATURES

- 1.8" SATA 6.0 Gbps drive HBA (Host Bus Adapter)
- AMC.1 x2 PCIe Gen 2
- Supports four SATA disks on a single AMC module
- Independent disk or hardware RAID 0, 1 and 10
- Single module, mid-size with full-size option
- IPMI 2.0 compliant
- RoHS compliant

Benefits of Choosing VadaTech

- 2x PCIe Gen 2 provides four times the back-end transfer rate as previous VadaTech modules
- 6 Gbps SATA drive provides twice the front-end transfer rate as previous VadaTech modules
- Design utilizes proven VadaTech subcomponents and engineering techniques
- Electrical, mechanical, software, and system-level expertise in house
- AS9100 and ISO9001 certified company

The AMC623 is VadaTech second generation storage product for a 1.8" SATA disk drive in a single module, mid-size or full-size AdvancedMC™ (AMC) form factor based on the AMC.1, specification.

The AMC623 supports RAID 0, 1 and 10 and can have up to 4 disks on a mid-size AMC module.

VadaTech can modify this product to meet special customer requirements. Contact us to discuss your application.

BLOCK DIAGRAM

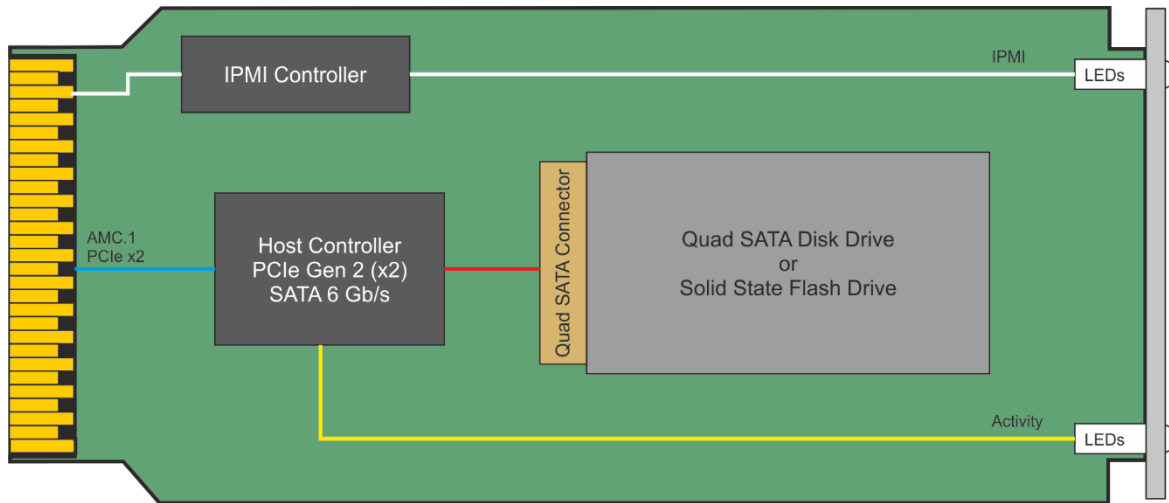


Figure 1: Block Diagram



Figure 2: Front Panel

SPECIFICATIONS

Architecture		
Physical	Dimensions	Single module, mid-size (full-size optional)
		Width: 2.89" (73.5 mm)
		Depth: 7.11" (180.6 mm)
Type	AMC Storage	1.8" Serial ATA drive
		Quad SATA drives
		SATA transfer rate of 6 Gbps
Standards		
AMC	Type	AMC.1
Module Management	IPMI	IPMI v2.0
PCIe	Lanes	2x PCIe Gen 2 lanes
Configuration		
Power	AMC623	2 W without the drive
Environmental	Temperature	Operating temperature: -5° to 55° C (air flow requirement of >200 LFM), industrial and military versions also available (See environmental spec sheet)
		Storage temperature: -40° to +70° C with the disk
	Vibration	SSD/Rotary disk dependent
	Shock	SSD/Rotary disk dependent
Front Panel	Relative Humidity	5 to 95 percent, non-condensing
	LEDs	IPMI management control
		Activity
	Mechanical	Hot swap ejector handle
Other		
MTFB	MIL Handbook 217-F@TBD Hrs	
Certifications	Designed to meet FCC, CE and UL certifications where applicable	
Compliance	RoHS and NEBS.	
Standards	VadaTech is certified to both the ISO9001:2000 and AS9100B:2004 standards	
Warranty	Two (2) years	
Trademarks and Disclaimer	The VadaTech logo is a registered trademark of VadaTech, Inc. Other registered trademarks are the property of their respective owners. AdvancedTCA™ and the AdvancedMC™ logo are trademarks of the PCI Industrial Computers Manufacturers Group. All rights reserved. Specification subject to change without notice	

1.8" Quad SATA Drive, 6 Gbps RAID HBA – AMC623

ORDERING OPTIONS

AMC623 – ABC – DE0 – 0HJ

A = SATA Drive Capacity Disk 1

0 = None

1 = 240 GB SSD

2 = 360 GB SSD

3 = 480 GB SSD

4 = Reserved

5 = Reserved

(Contact sales for availability and size of larger drives)

B = SATA Drive Capacity Disk 2

0 = None

1 = 240 GB SSD

2 = 360 GB SSD

3 = 480 GB SSD

4 = Reserved

5 = Reserved

(Contact sales for availability and size of larger drives)

C = Front Panel Size

1 = Reserved

2 = Mid-size

3 = Full-size

D = Third SATA Drive Capacity

0 = None

1 = 240 GB SSD

2 = 360 GB SSD

3 = 480 GB SSD

4 = Reserved

5 = Reserved

(Contact sales for availability and size of larger drives)

E = Fourth SATA Drive Capacity

0 = None

1 = 240 GB SSD

2 = 360 GB SSD

3 = 480 GB SSD

4 = Reserved

5 = Reserved

(Contact sales for availability and size of larger drives)

H = Temperature Range

0 = Commercial (-5 to +55° C)

1 = Industrial (-20 to +70° C)

2 = Military (-40 to +85° C)*

J = Conformal Coating

0 = None

1 = Humiseal 1A33 Polyurethane

2 = Humiseal 1B31 Acrylic

* Edge of module for conduction-cooled boards

RELATED PRODUCTS



EXP100 1U Express
Development Platform



UTC002 MCH



UTC020 Power Module

CONTACT US

VadaTech Corporate Office

198 N. Gibson Rd.
Henderson, NV 89014
Email: info@vadatech.com
Telephone: +1 702 896-3337
Fax: +1 702 896-0332

Asia Pacific Sales Office

7th Floor, No. 2, Wenhui Street, Neihu District, Taipei
City, Taiwan 11445
Email: info@vadatech.com
Telephone: +886-2-2627-7655
Fax: +886-2-2627-7792

VadaTech European Sales Office

Ocean Village Innovation Centre, Ocean Way,
Ocean Village, Southampton, SO14 3JZ
Email: info@vadatech.com
Telephone: +44 2380 381982
Fax: +44 2380 381983