

## 2.5" Dual/Single SATA III Drive, 6 Gbps – AMC624

2.5" Single/Dual SATA III Drive



### KEY FEATURES

- 2.5" SATA III 6.0 Gbps drive (can support legacy 1.5 and 3 Gbps)
- AMC.3 compliant
- Single module, mid-size for single disk or full-size for dual disk
- Option for Solid State Drive or Rotary Disk
- IPMI 2.0 compliant
- RoHS compliant

### Benefits of Choosing VadaTech

- 6 Gbps SATA drive provides twice the front-end transfer rate as previous VadaTech modules
- Design utilizes proven VadaTech subcomponents and engineering techniques
- Electrical, mechanical, software, and system-level expertise in house
- AS9100 and ISO9001 certified company

The AMC624 is specifically designed for dual or single 2.5" SATA III hard disk drive in a single module, mid-size AdvancedMC™ (AMC) form factor based on the AMC.3 specification. The SATA III option allows 6 Gbps based on the latest specification. The AMC624 is an ideal AdvancedMC™ storage module for high speed requirements at a lower cost. As a single disk option the panel size can stay as mid-size (port 2 is routed to the first disk). Option to route port 3 to the first disk to keep the panel size to mid-size as a single disk option as well.

*VadaTech can modify this product to meet special customer requirements. Contact us to discuss your application.*

BLOCK DIAGRAM

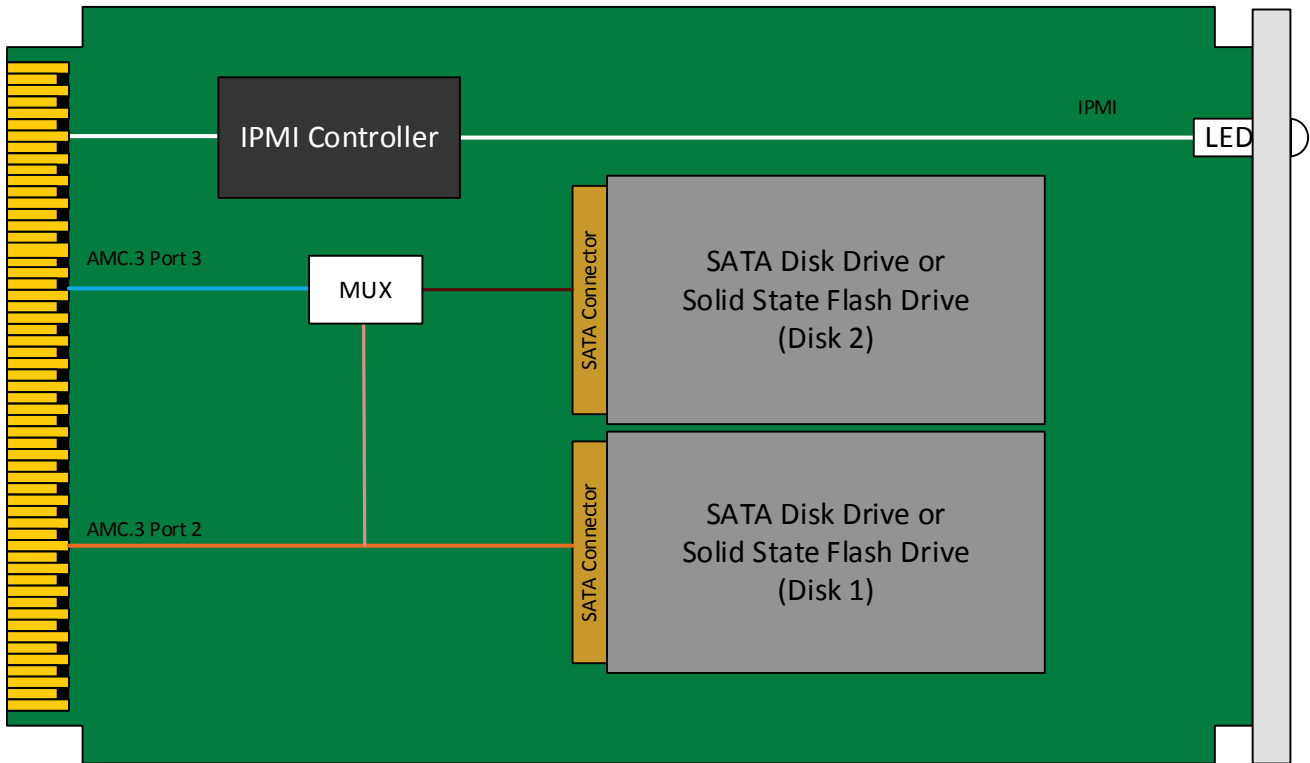


Figure 1: Block Diagram

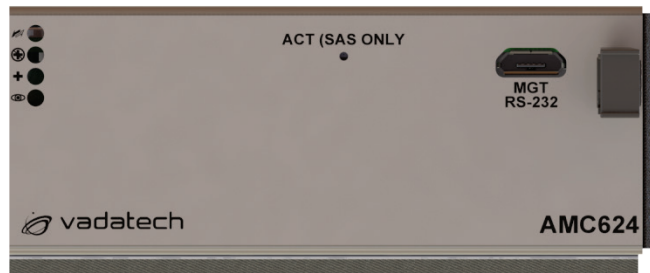


Figure 2: Front Panel

## SPECIFICATIONS

Architecture		
Physical	Dimensions	Single module, mid-size ( full-size option available) Width: 2.89" (73.5 mm) Depth: 7.11" (180.6 mm)
	Type	AMC Storage 2.5" Serial ATA III drive Solid State Drive and Rotary Disk option SATA III transfer rate of 6 Gbps
Standards		
AMC	Type	AMC.3
Module Management	IPMI	IPMI v2.0
Configuration		
Power	AMC624	1 W without the drive
Environmental	Temperature	Operating temperature: -5° to 55° C (air flow requirement of >100 LFM), industrial and military versions also available (See <a href="#">environmental spec sheet</a> ) Storage temperature: -40° to +70° C with the disk
	Vibration	SSD/Rotary disk dependent
	Shock	SSD/Rotary disk dependent
	Relative Humidity	5 to 95 percent, non-condensing
Front Panel	LEDs	IPMI management control
	Mechanical	Hot swap ejector handle
Other		
MTBF	MIL Handbook 217-F@TBD Hrs	
Certifications	Designed to meet FCC, CE and UL certifications where applicable	
Compliance	RoHS and NEBS.	
Standards	VadaTech is certified to both the ISO9001:2000 and AS9100B:2004 standards	
Warranty	Two (2) years	
Trademarks and Disclaimer	The VadaTech logo is a registered trademark of VadaTech, Inc. Other registered trademarks are the property of their respective owners. AdvancedTCA™ and the AdvancedMC™ logo are trademarks of the PCI Industrial Computers Manufacturers Group. All rights reserved. Specification subject to change without notice	

# 2.5" Dual/Single SATA III Drive, 6 Gbps – AMC624

## ORDERING OPTIONS

### AMC624 – ABC – D00 – 0HJ

#### A = SATA Drive Capacity Disk 1

- 0 = None
- 1 = 1 TB
- 2 = 2 TB
- 3 = Reserved
- 4 = Reserved
- 5 = Solid State Drive (SSD) and other sizes (Contact sales for availability)

#### B = SATA Drive Capacity Disk2

- 0 = None
- 1 = 1 TB
- 2 = 2 TB
- 3 = Reserved
- 4 = Reserved
- 5 = Solid State Drive (SSD) and other sizes (Contact sales for availability)

#### C = Front Panel Size

- 1 = Reserved
- 2 = Mid-size
- 3 = Full-size\*

#### D = Routing of Port 3

- 0 = Port 3 routed to the second disk
- 1 = Port 3 routes to the first disk (disk two is not installed and panel can stay as mid-size)

#### H = Temperature Range\*\*

- 0 = Commercial (-5 to +55° C)
- 1 = Industrial (-20 to +70° C)
- 2 = Military (-40 to +85° C)\*\*\*

#### J = Conformal Coating

- 0 = None
- 1 = Humiseal 1A33 Polyurethane
- 2 = Humiseal 1B31 Acrylic

\* Dual disk must take the full-size panel

\*\*SSD option is required for Industrial or Military grade

\*\*\* Edge of module for conduction-cooled boards

## RELATED PRODUCTS



EXP100 1U Express  
Development Platform



UTC002 MCH



UTC020 Power Module

## CONTACT US

#### VadaTech Corporate Office

198 N. Gibson Rd.  
Henderson, NV 89014  
Email: [info@vadatech.com](mailto:info@vadatech.com)  
Telephone: +1 702 896-3337  
Fax: +1 702 896-0332

#### Asia Pacific Sales Office

7th Floor, No. 2, Wenhui Street, Neihu District, Taipei  
City, Taiwan 11445  
Email: [info@vadatech.com](mailto:info@vadatech.com)  
Telephone: +886-2-2627-7655  
Fax: +886-2-2627-7792

#### VadaTech European Sales Office

Ocean Village Innovation Centre, Ocean Way,  
Ocean Village, Southampton, SO14 3JZ  
Email: [info@vadatech.com](mailto:info@vadatech.com)  
Telephone: +44 2380 381982  
Fax: +44 2380 381983