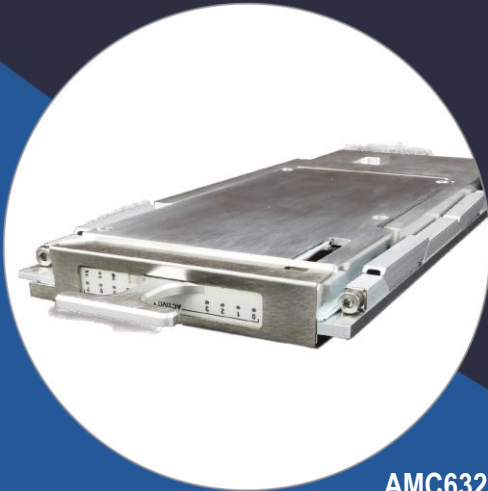


AMC632C

AMC Carrier for JBOD, 8 mSATA Disks



AMC632C

Key Features

- JBOD Carrier Module for 8 Mini-SATA (mSATA) disks
- Single module, mid-size per AMC.0
- Single removable tray carries mSATA drives
- Multi-Terabit storage capacity in a single module AMC form factor carrier
- Auto-latching of the caddy into the carrier for secure retention, push-button release

Benefits

- Removable storage for data-sensitive applications
- Fully compatible with HBA/RAID controller AMC631C
- Conduction cooled solution
- Full system supply from industry leader
- AS9100 and ISO9001 certified company

AdvancedMC™



vadatech
THE POWER OF VISION



AMC632C

The removable mSATA carrier tray on the AMC632C allows all drives to be removed together, supporting applications where large amounts of data need to be physically moved from one equipment to another, or where sensitive (e.g. classified) data must be removed from a system. The unit is fully compatible with the AMC631C RAID controller so can support fault-tolerant storage.

Multiple AMC632C units can be 'daisy chained' within a system (depending on backplane capabilities) supporting large scale storage systems.

The AMC632C is available as rugged conduction-cooled (MTCA.2 or MTCA.3) versions.



Figure 1: AMC632C

Block Diagram

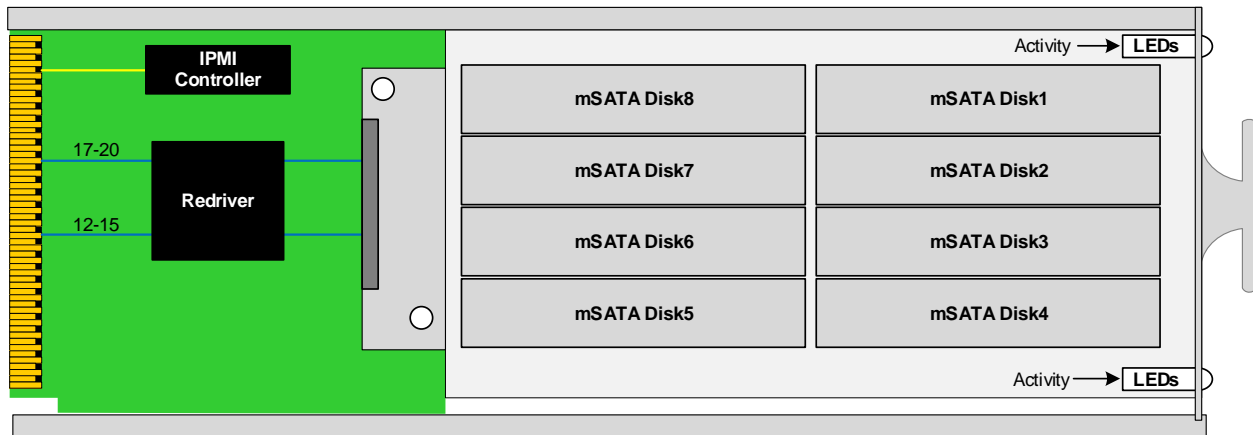


Figure 2: AMC632C Functional Block Diagram

Panel

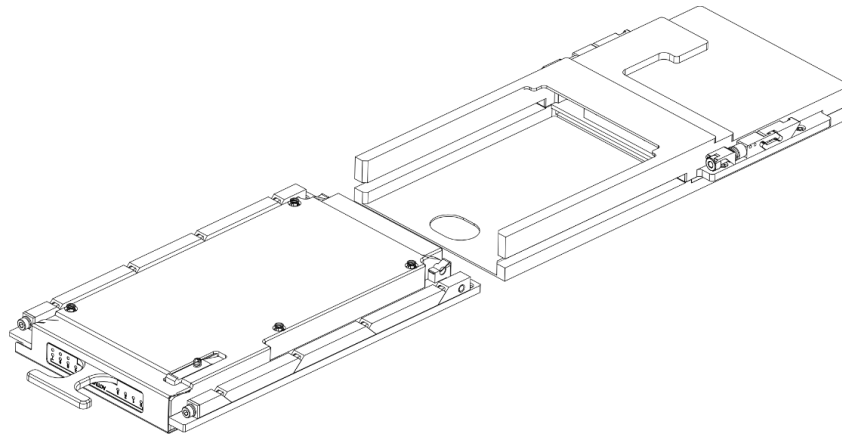


Figure 3: AMC632C Mechanical Outline Drawing

Specifications

Architecture	
Physical	Dimensions Single module, mid-size (full-size optional) Width: 2.89" (73.5 mm) Depth 7.11" (180.6 mm), carrier protrudes ~1.95" from AMC front panel
Type	AMC Storage 8 mSATA JBOD Carrier
Standards	
AMC	Type AMC.0
Module Management	IPMI IPMI v2.0
Storage	Type 8x mSATA drives
Configuration	
Power	AMC632C TBD W
Environmental	Temperature See ordering options and environmental spec sheet Storage Temperature: -40° to +85°C
	Vibration Operating 9.8 m/s ² (1G), 5 to 500 Hz on each axis
	Shock Operating 325 G/2 ms, 160G/1 ms
	Relative Humidity 5 to 95% non-condensing
Front Panel	LEDs IPMI management control 8x Activity
	Mechanical Wedgelocks (AMC632CC); Removable Tray
Software Support	Operating System Linux, Windows, VxWorks and Solaris
Other	
MTBF	MIL Hand book 217-F@ TBD hrs
Certifications	Designed to meet FCC, CE and UL certifications, where applicable
Standards	VadaTech is certified to both the ISO9001:2000 and AS9100B:2004 standards
Warranty	Two (2) years

INTEGRATION SERVICES AND APPLICATION-READY PLATFORMS

VadaTech has a full ecosystem of OpenVPX, ATCA and MTCA products including chassis platforms, shelf managers, AMC modules, Switch and Payload Boards, Rear Transition Modules (RTMs), Power Modules, and more. The company also offers integration services as well as pre-configured Application-Ready Platforms. Please contact VadaTech Sales for more information.

Ordering Options

AMC632C – ABC-000-00J

A = mSATA Disks		
0 = 8 disks 1 = 4 disks 2 = Reserved		
B = mSATA Disk Capacity		
0 = 256 GB/disk 1 = 512 GB/disk 2 = 1 TB/disk 3 = Reserved		
C = Ruggedization Level*		J = Temperature Range and Coating**
0 = No Ruggedization 1 = Contact VadaTech 2 = Contact VadaTech 3 = Contact VadaTech		0 = Commercial (–5° to +55°C), No coating 1 = Commercial (–5° to +55°C), Humiseal 1A33 Polyurethane 2 = Commercial (–5° to +55°C), Humiseal 1B31 Acrylic 3 = Industrial (–20° to +70°C), No coating 4 = Industrial (–20° to +70°C), Humiseal 1A33 Polyurethane 5 = Industrial (–20° to +70°C), Humiseal 1B31 Acrylic 6 = Extended (–40° to +85°C), Humiseal 1A33 Polyurethane 7 = Extended (–40° to +85°C), Humiseal 1B31 Acrylic

Notes: *Ruggedization level is per the MTCA.2 and MTCA.3 specification
 ** Temperature is at the edge of module

Related Products

AMC631C



- Host Bus Adapter (HBA) for off board SATA and SAS-3 (12 Gbps) drives
- Conduction cooled
- Integrated RAID 0, 1, 1E, and 10

AMC720



- Intel® Xeon™ E3 processor
- Conduction cooled version available
- x4 on ports 4-7 and 8-11 or single PCIe x8 on ports 4-11

VT872



- MTCA.3 Conduction Cooled System Platform
- 1/2 Short Air Transport Rack (ATR) per ARNIC404A, with NO internal fan (12.62" deep without handle)
- Customized Front Input/Output (I/O) Panel

Contact

VadaTech Corporate Office

198 N. Gibson Road, Henderson, NV 89014

Phone: +1 702 896-3337 | Fax: +1 702 896-0332

Asia Pacific Sales Office

7 Floor, No. 2, Wenhua Street, Neihu District, Taipei 114, Taiwan

Phone: +886-2-2627-7655 | Fax: +886-2-2627-7792

VadaTech European Sales Office

VadaTech House, Bulls Copse Road, Southampton, SO40 9LR

Phone: +44 2380 016403

info@vadatech.com | www.vadatech.com

Choose VadaTech

We are technology leaders

- First-to-market silicon
- Constant innovation
- Open systems expertise

We commit to our customers

- Partnerships power innovation
- Collaborative approach
- Mutual success

We deliver complexity

- Complete signal chain
- System management
- Configurable solutions

We manufacture in-house

- Agile production
- Accelerated deployment
- AS9100 accredited



vadatech
THE POWER OF VISION

Trademarks and Disclaimer

The VadaTech logo is a registered trademark of VadaTech, Inc. Other registered trademarks are the property of their respective owners. AdvancedTCA™ and the AdvancedMC™ logo are trademarks of the PCI Industrial Computers Manufacturers Group. All rights reserved. Specification subject to change without notice.

© 2018 VadaTech Incorporated. All rights reserved.
DOC NO. 4FM737-12 REV 01 | VERSION 2.2 – DEC/18