

AMC759

Intel Xeon E3 Processor AMC, SRIO Gen2



AMC759

Key Features

- Single module, mid-size (option for full-size) per AMC.0
- Processor AMC Intel® Xeon® Processor E3-1505M v6 (Kaby Lake)
- SRIO Gen2 on ports 4-7 and 8-11 (AMC.4)
- Serial Over LAN (SOL)
- 16 GB of DDR4 memory with ECC
- 64 GB of Flash memory

Benefits

- High performance Xeon E3-1505M processor with CM238 PCH
- Electrical, mechanical, software, and system-level expertise in house
- Full system supply from industry leader
- AS9100 and ISO9001 certified company

AdvancedMC™



vadatech
THE POWER OF VISION



AMC759

The AMC759 is a Processor AMC (PrAMC) in a single module, mid-size AdvancedMC (AMC) form factor based on the Intel® Xeon® Processor E3-1505M v6 (Kaby Lake) with CM238 PCH. The processor base frequency is 3.0 GHz with max turbo frequency of 4.0 GHz. The module follows the AMC.2, AMC.3 and AMC.4 specifications.

The module provides dual SRIO Gen2 on ports 4-11 per AMC.4, dual GbE on ports 0 and 1 per AMC.2, and SATA on ports 2 and 3 per AMC.3. It also provides GbE to the front panel.

The AMC759 has up to 16 GB of DDR4 memory with ECC and 64 GB of Flash for OS. The BIOS allows booting from on board NAND, off board SATA, PXE boot as well as USB. There are dual USB 3.0 type C connectors for extended storage or peripherals.

Linux OS is standard on the AMC759, consult VadaTech for other options.



Figure 1: AMC759

Block Diagram

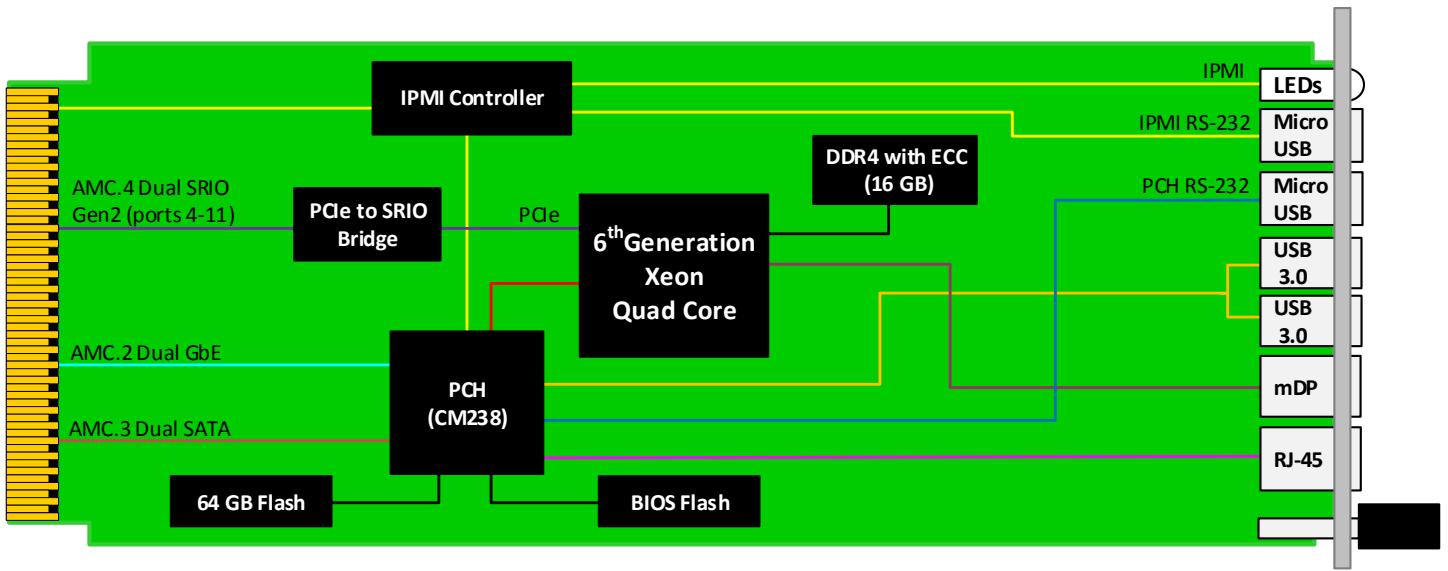


Figure 2: AMC759 Functional Block Diagram

Front Panel

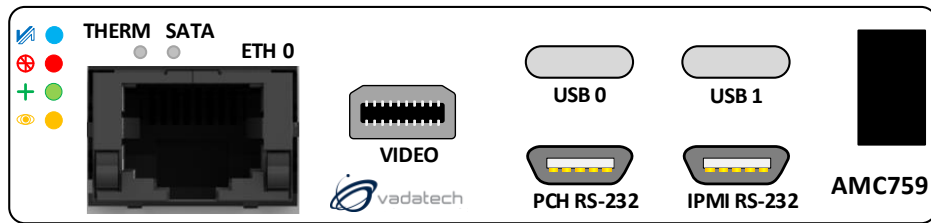


Figure 3: AMC759 Front Panel

Specifications

| Architecture | |
|--------------------------|--|
| Physical | Dimensions Width: 2.89" (73.5 mm) |
| | Depth: 7.11" (180.6 mm) |
| Type | AMC Processor Intel Xeon E3 Processor AMC, Quad Core, 4.0 GHz |
| Standards | |
| AMC | Type AMC.0, AMC.2, AMC.3 and AMC.4 |
| Module Management | IPMI IPMI v2.0 |
| SRIO | Lanes Dual SRIO x4 Gen2 |
| Configuration | |
| Power | AMC759 ~58 W |
| Environmental | Temperature See ordering options and environmental spec sheet |
| | Storage Temperature: -40° to +90°C |
| | Altitude Chassis dependent |
| | Relative Humidity 5 to 95% non-condensing |
| Front Panel | Interface Connectors 1x RJ-45 for GbE |
| | 2x USB type C connectors for USB 3.0 |
| | 2x Micro USB for RS-232 |
| | 1x Mini Display Port for graphics |
| | LEDs IPMI, activity and user defined |
| | Mechanical Hot swap ejector handle |
| Software Support | Operating System Linux (consult VadaTech for other options) |
| Other | |
| MTBF | MIL Hand book 217-F@ TBD hrs |
| Certifications | Designed to meet FCC, CE and UL certifications, where applicable |
| Standards | VadaTech is certified to both the ISO9001:2000 and AS9100B:2004 standards |
| Warranty | Two (2) years |

INTEGRATION SERVICES AND APPLICATION-READY PLATFORMS

VadaTech has a full ecosystem of OpenVPX, ATCA and MTCA products including chassis platforms, shelf managers, AMC modules, Switch and Payload Boards, Rear Transition Modules (RTMs), Power Modules, and more. The company also offers integration services as well as pre-configured Application-Ready Platforms. Please contact VadaTech Sales for more information.

Ordering Options

AMC759 – ABC-000-00J

| | | |
|--|--|--|
| A = DDR4 Memory | | |
| 0 = Reserved 1 = 16 GB | | |
| B = Flash Storage | | |
| 0 = Reserved 1 = 64 GB | | |
| C = Front Panel Size | | J = Temperature Range and Coating |
| 1 = Reserved 2 = Mid-size 3 = Full-size 4 = Reserved 5 = Mid-size, MTCA.1 (captive screws) 6 = Full-size, MTCA.1 (captive screws) | | 0 = Commercial (–5° to +55°C), No coating 1 = Commercial (–5° to +55°C), Humiseal 1A33 Polyurethane 2 = Commercial (–5° to +55°C), Humiseal 1B31 Acrylic 3 = Industrial (–20° to +70°C), No coating 4 = Industrial (–20° to +70°C), Humiseal 1A33 Polyurethane 5 = Industrial (–20° to +70°C), Humiseal 1B31 Acrylic 6 = Extended (–40° to +85°C), Humiseal 1A33 Polyurethane* 7 = Extended (–40° to +85°C), Humiseal 1B31 Acrylic* |

Notes: *Conduction cooled, temperature is at edge of module. Consult factory for availability.

Related Products

UTC004



- Unified 1 GHz quad-core CPU for MCMC, Shelf Manager, Clocking, and Fabric management
- Automatic fail-over with redundant UTC004s
- Full Layer 2 or 3 managed Ethernet switches

UTC020



- Single module, full-size per AMC.0
- Dual -36 V DC to -75 V DC input, 936 W (available in 468 W)
- Hot swappable with support for power module redundancy

VT866



- MTCA System Platform 19" x 5U x 10.5" deep (with handles 12" deep)
- Full redundancy with dual MicroTCA Carrier Hub (MCH), dual Cooling Units and dual Power Modules
- Up to 12 AMCs in single width/full-size

Contact

VadaTech Corporate Office

198 N. Gibson Road, Henderson, NV 89014

Phone: +1 702 896-3337 | Fax: +1 702 896-0332

Asia Pacific Sales Office

7 Floor, No. 2, Wenhua Street, Neihu District, Taipei 114, Taiwan

Phone: +886-2-2627-7655 | Fax: +886-2-2627-7792

VadaTech European Sales Office

VadaTech House, Bulls Copse Road, Southampton, SO40 9LR

Phone: +44 2380 016403

info@vadatech.com | www.vadatech.com

Choose VadaTech

We are technology leaders

- First-to-market silicon
- Constant innovation
- Open systems expertise

We commit to our customers

- Partnerships power innovation
- Collaborative approach
- Mutual success

We deliver complexity

- Complete signal chain
- System management
- Configurable solutions

We manufacture in-house

- Agile production
- Accelerated deployment
- AS9100 accredited



vadatech
THE POWER OF VISION

Trademarks and Disclaimer

The VadaTech logo is a registered trademark of VadaTech, Inc. Other registered trademarks are the property of their respective owners. AdvancedTCA™ and the AdvancedMC™ logo are trademarks of the PCI Industrial Computers Manufacturers Group. All rights reserved. Specification subject to change without notice.

© 2018 VadaTech Incorporated. All rights reserved.
DOC NO. 4FM737-12 REV 01 | VERSION 1.2 – NOV/18