

# AMC760

Intel® Xeon® Processor E-2176M

AMC, PCIe Gen3

## Key Features

- Processor AMC Intel® Xeon® Processor E-2176M (Coffee Lake)
- PCIe Gen3 x4 on ports 4-7 and 8-11 or single PCIe x8 on ports 4-11 (AMC.1)
- Serial Over LAN (SOL)
- 16 GB of DDR4 memory with ECC
- 64 GB of Flash memory
- Single module, mid-size (option for full-size) per AMC.0

## Benefits

- High performance Xeon® Processor E-2176M with CM246 PCH
- Graphics output via Mini Display Port
- Design utilizes proven VadaTech subcomponents and engineering techniques
- Electrical, mechanical, software, and system-level expertise in house
- Full system supply from industry leader
- AS9100 and ISO9001 certified company

**AdvancedMC™**



vadatech  
THE POWER OF VISION



# AMC760

The AMC760 is a Processor AMC (PrAMC) in a single module, mid-size AdvancedMC (AMC) form factor based on the Intel® Xeon® Processor E-2176M (Coffee Lake) with CM246 PCH. The processor base frequency is 2.7 GHz with max turbo frequency of 4.4 GHz. The module follows AMC.1, AMC.2 and AMC.3 specifications.

The module provides dual PCIe Gen3 x4 or single x8 on ports 4-11 per AMC.1, GbE on ports 0 and 1 per AMC.2, and SATA on ports 2 and 3 per AMC.3. It also provides GbE to the front panel.

The AMC760 has up to 16 GB of DDR4 memory with ECC and 64 GB of Flash for OS. The BIOS allows booting from on board Flash, off board SATA, PXE boot as well as USB. There are dual USB 3.0 type C connectors for extended storage or peripherals.

Linux OS is standard on the AMC760, consult VadaTech for other options.

# Block Diagram

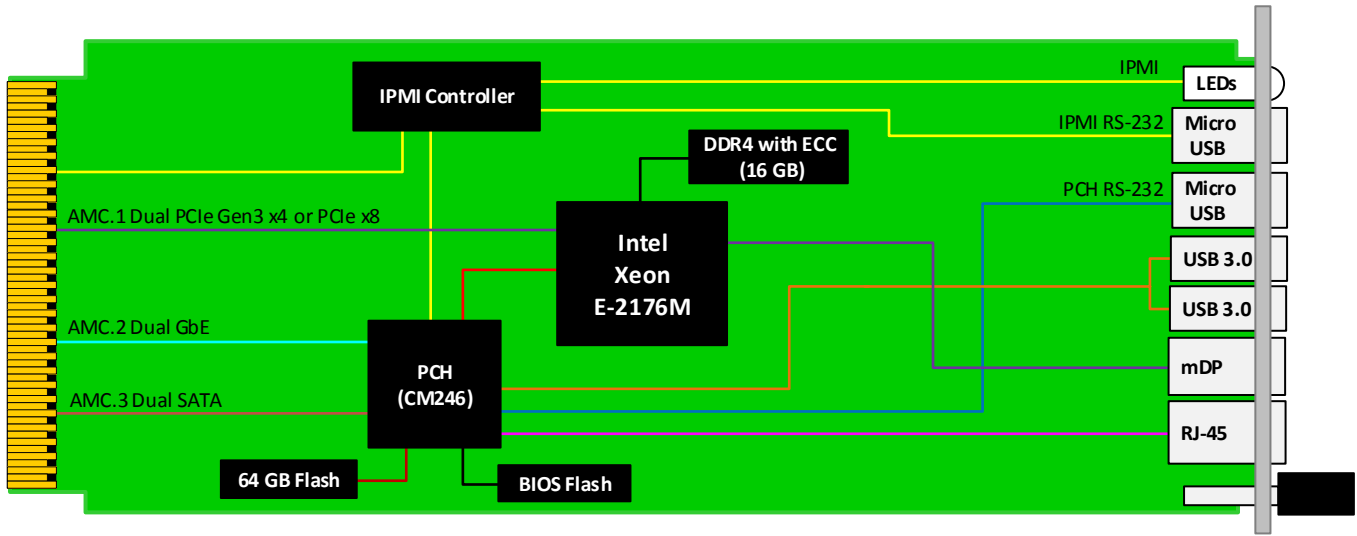


Figure 1: AMC760 Functional Block Diagram

# Front Panel

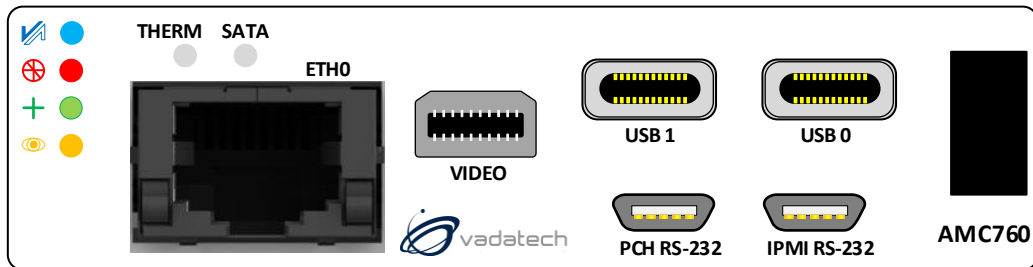


Figure 2: AMC760 Front Panel

# Specifications

Architecture	
<b>Physical</b>	<b>Dimensions</b> Width: 2.89" (73.5 mm) Depth: 7.11" (180.6 mm)
<b>Type</b>	<b>AMC Processor</b> Intel® Xeon® Processor E-2176M AMC
Standards	
<b>AMC</b>	<b>Type</b> AMC.0, AMC.1, AMC.2 and/or AMC.3
<b>Module Management</b>	<b>IPMI</b> IPMI v2.0
<b>10/40 GbE</b>	<b>Lanes</b> Single x8 or dual x4 as PCIe Gen3
Configuration	
<b>Power</b>	<b>AMC760</b> ~53 W
<b>Environmental</b>	<b>Temperature</b> See ordering options and <a href="#">environmental spec sheet</a> Storage Temperature: -40° to +90°C
	<b>Altitude</b> Chassis dependent
	<b>Relative Humidity</b> 5 to 95% non-condensing
<b>Front Panel</b>	<b>Interface Connectors</b> 1x RJ-45 for GbE 2x USB type C connectors for USB 3.0 2x Micro USB for IPMI RS-232 and PCH RS-232 1x Mini DisplayPort for graphics
	<b>LEDs</b> IPMI, activity and user defined
	<b>Mechanical</b> Hot swap ejector handle
<b>Software Support</b>	<b>Operating System</b> Linux (consult VadaTech for other options)
Other	
<b>MTBF</b>	MIL Hand book 217-F@ TBD hrs
<b>Certifications</b>	Designed to meet FCC, CE and UL certifications, where applicable
<b>Standards</b>	VadaTech is certified to both the ISO9001:2000 and AS9100B:2004 standards
<b>Warranty</b>	Two (2) years

## INTEGRATION SERVICES AND APPLICATION-READY PLATFORMS

VadaTech has a full ecosystem of OpenVPX, ATCA and MTCA products including chassis platforms, shelf managers, AMC modules, Switch and Payload Boards, Rear Transition Modules (RTMs), Power Modules, and more. The company also offers integration services as well as pre-configured Application-Ready Platforms. Please contact VadaTech Sales for more information.

# Ordering Options

## AMC760 – ABC-D00-00J

A = DDR4 Memory	D = CPU	
0 = Reserved 1 = 16 GB	0 = E-2176M 1 = Reserved 2 = Reserved	
B = Flash Storage		
0 = Reserved 1 = 64 GB		
C = Front Panel Size		J = Temperature Range and Coating*
1 = Reserved 2 = Mid-size 3 = Full-size 4 = Reserved 5 = Reserved 6 = Mid-size, MTCA.1/4 7 = Full-size, MTCA.1/4 8 = Reserved		0 = Commercial (-5° to +55° C), No coating 1 = Commercial (-5° to +55° C), Humiseal 1A33 Polyurethane 2 = Commercial (-5° to +55° C), Humiseal 1B31 Acrylic 3 = Industrial (-20° to +70° C), No coating 4 = Industrial (-20° to +70° C), Humiseal 1A33 Polyurethane 5 = Industrial (-20° to +70° C), Humiseal 1B31 Acrylic 6 = Extended (-40° to +85° C), Humiseal 1A33 Polyurethane 7 = Extended (-40° to +85° C), Humiseal 1B31 Acrylic

Notes: \*Edge of module for conduction cooled boards, consult factory for availability

## Related Products

UTC004



- Unified 1 GHz quad-core CPU for MCMC, Shelf Manager, Clocking, and Fabric management
- Automatic fail-over with redundant UTC004s
- Full Layer 2 or 3 managed Ethernet switches

UTC020



- Single module, full-size per AMC.0
- Dual -36 V DC to -75 V DC input, 936 W (available in 468 W)
- Hot swappable with support for power module redundancy

VT853



- MicroTCA 1U 19" rack mount chassis platform
- Six mid-size AMC slots per 1U Carrier or two double module mid-size with two mid-size AMC slots
- Cascade any number of 1U Carriers for Fabric expansion and management

# Contact

## VadaTech Corporate Office

198 N. Gibson Road, Henderson, NV 89014

Phone: +1 702 896-3337 | Fax: +1 702 896-0332

## Asia Pacific Sales Office

7 Floor, No. 2, Wenhua Street, Neihu District, Taipei 114, Taiwan

Phone: +886-2-2627-7655 | Fax: +886-2-2627-7792

## VadaTech European Sales Office

VadaTech House, Bulls Copse Road, Southampton, SO40 9LR

Phone: +44 2380 016403

[info@vadatech.com](mailto:info@vadatech.com) | [www.vadatech.com](http://www.vadatech.com)

# Choose VadaTech

## We are technology leaders

- First-to-market silicon
- Constant innovation
- Open systems expertise

## We commit to our customers

- Partnerships power innovation
- Collaborative approach
- Mutual success

## We deliver complexity

- Complete signal chain
- System management
- Configurable solutions

## We manufacture in-house

- Agile production
- Accelerated deployment
- AS9100 accredited



**vadatech**  
THE POWER OF VISION

## Trademarks and Disclaimer

The VadaTech logo is a registered trademark of VadaTech, Inc. Other registered trademarks are the property of their respective owners. AdvancedTCA™ and the AdvancedMC™ logo are trademarks of the PCI Industrial Computers Manufacturers Group. All rights reserved. Specification subject to change without notice.

© 2018 VadaTech Incorporated. All rights reserved.  
DOC NO. 4FM737-12 REV 01 | VERSION 1.0 – NOV/18