

AMC900



KEY FEATURES

- AMC form factor
- Dual VGA video inputs
- Dual video outputs capable of driving up to 110 feet over coax
- Provides Sync on Green
- Max display resolution 1600x1200 @ 60Hz
- Mid or Full-height front panel option
- IPMI 2.0 compliant
- RoHS compliant

The AMC900 is a AMC form factor module that has dual VGA analog video receiver inputs. It outputs two analog RGBs that provide the capability to drive UXGA video up to 110 feet over coaxial cable. It also provides the Sync on Green.

The input impedance is 75 ohms with a signal level of 1 VPP per RS-343A with sync on green. The output characteristic being 1 VPP into 75 ohms per RS-343A which can drive a minimum of 110 feet of cable.

The AMC900 receives only power from the AMC bus and has no other connection to any of the ports. The AMC900 does have the management processor and complies fully to the AMC.0 management specification.

VadaTech can modify this product to meet special customer requirements without NRE (minimum order placement is required).

AdvancedMC™

VGA to RGB Video Driver with Sync on Green

SPECIFICATIONS

Architecture		
Physical	Dimensions	Mid-Height (Full-Height option)
		Width: 2.89 in. (73.5 mm)
		Depth: 7.11 in. (180.6 mm)
Product	Video Driver	Dual VGA to dual RGB with sync on Green
Standards		
AMC	Type	AMC.0
Module Management	IPMI	IPMI Version 2.0
Configuration		
Power	AMC900	<2W
Environmental	Temperature	Operating Temperature: 0° to 65° C
		Storage Temperature: -40° to +90° C
	Vibration	1G, 5-500Hz each axis
	Shock	30Gs each axis
	Relative Humidity	5 to 95 percent, non-condensing
Interface Connectors	Rear	LFH-60
Conformal Coating		Humiseal 1A33 Polyurethane Conformal Coating
		Humiseal 1B31 Acrylic Conformal Coating
Other		
MTBF	MIL Spec 217-F > 391,000 Hrs.	
Certifications	Designed to meet FCC, CE and UL certifications where applicable	
Standards	VadaTech is certified to both the ISO9001:2000 and AS9100B:2004 standards	
Compliance	RoHS	
Warranty	Two (2) years	
Trademarks and Logos	The VadaTech logo is a registered trademark of VadaTech, Inc. Other registered trademarks are the property of their respective owners. AdvancedMC™ and the AdvancedTCA™ logo are trademarks of the PCI Industrial Computers Manufacturers Group. All rights reserved. Specification subject to change without notice.	

VGA to RGB Video Driver with Sync on Green

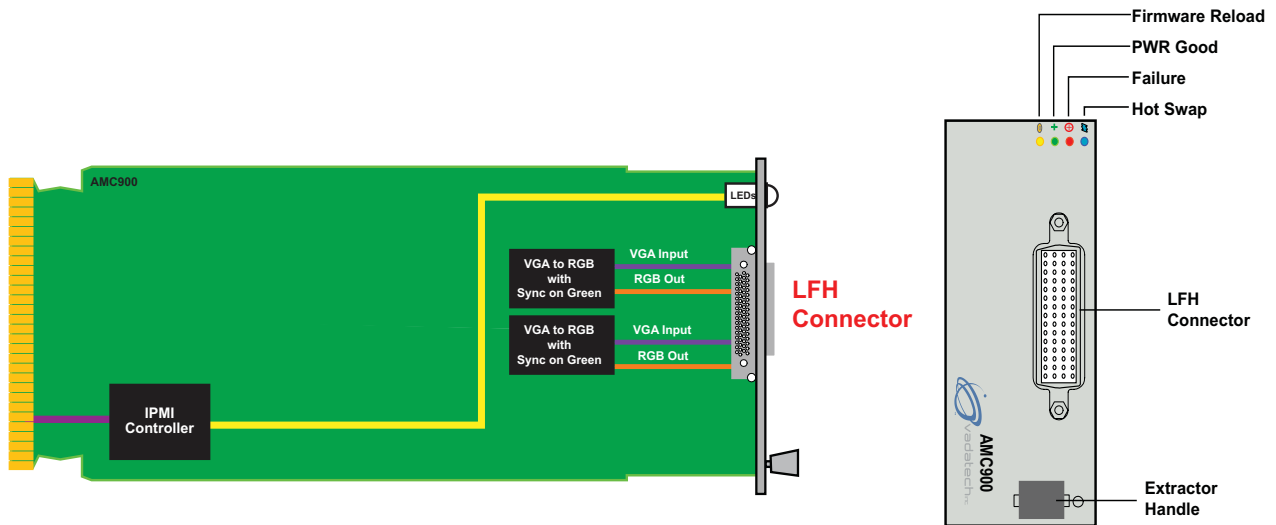


FIGURE 1. AMC900 Functional Block Diagram

ORDERING OPTIONS

AMC900 - 00C - 000 - 00J

J = Conformal Coating

- 0 = None
- 1 = Humiseal 1A33 Polyurethane
- 2 = Humiseal 1B31 Acrylic

C = Front Panel

- 1 = Reserved
- 2 = Mid-Height
- 3 = Full-Height

Document No. _____ Date: May 23 2008

