

cPCI 3U Graphics Board, 6 Mini Display Port – CP344

cPCI 6 Mini Display Port



KEY FEATURES

- 3U CompactPCI graphics board
- Based on AMD graphics processor chipset
- Provides 6 Mini Display Ports in 4HP panel size
- Supports industry standard 480p, 720p, and 1080i
- PCI-X 64-bit (or 32-bit) @ 133 MHz
- PICMG 2.0 R 3.0 compliant
- Support for high-resolution and wide-screen displays up to 3840x2400 @ 60 Hz
- 1 GB of GDDR5 Memory
- Optimized for DirectX 11
- RoHS compliant
- OS support for Linux, Windows, and Solaris

Benefits of Choosing VadaTech

- Uses high performance graphics processor
- Design utilizes proven VadaTech subcomponents and engineering techniques
- Electrical, mechanical, software, and system-level expertise in house
- Full ecosystem of front and rear boards, enclosures, specialty modules, and test/dev products from one source
- AS9100 and ISO9001 certified company

The CP344 is a second generation VadaTech graphics module designed to meet the high performance needs of Military, Industrial and Telecom applications. The 3U board is one of the fastest and most advanced, high-performance 2D and 3D graphics processors available for the CompactPCI embedded market.

The CP344 features AMD's graphics processor chip (E6760) which enables dual HD decode of H.264, VC-1, MPEG4 and MPEG2 compressed video streams. The board offers up to 1 GB of GDDR5 memory and supports up to 6 independent displays with resolutions up to 3840x2400 @ 60Hz, depending on number or ports used. The CP344 is PICMG 2.0 R 3.0 compliant and is available in the 3U size (a 6U panel is available). **The CP344 board is not PCI +5V signalling compatible.**

VadaTech can modify this product to meet special customer requirements. Contact us to discuss your application.

BLOCK DIAGRAM

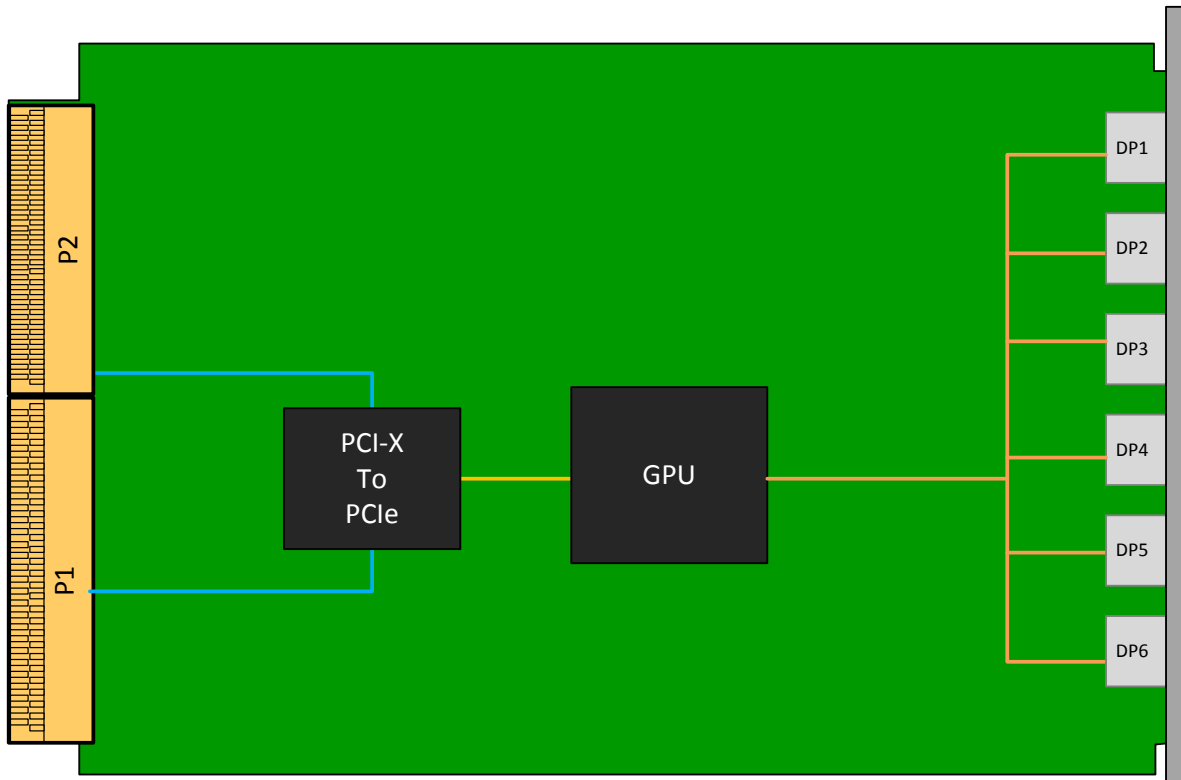


Figure 1: Block Diagram

SPECIFICATIONS

Architecture		
Physical	Dimensions	Width: 3.94" (100.07 mm)
		Depth 6.37" (161.79 mm)
		3U cPCI (6U panel option available), 4HP wide (0.8")
Type	cPCI	Graphics board
	Ports	6 Mini Display Ports
	Video Resolution	Up to 3840x2400 @ 60 Hz
	Memory	1 GB GDDR-5
PCI-X	Speed	133 MHz
Standards		
Compact PCI	Type	cPCI
Module Management	IPMI	None
Configuration		
Power	CP344	~18 W
Environmental	Temperature	Operating Temperature: 0° to 65°C (air flow greater than 300 LFM)
		Storage Temperature: -40° to +90°C
	Vibration	Operating 9.8 m/s ² , 1G, 5 to 500Hz on each axis
	Shock	Operating 30G on each axis
	Relative Humidity	5 to 95 per cent, non-condensing
Front Panel	Interface Connectors	Mini Display Port
	LEDs	PCIe lane good and power fail
	Mechanical	Hot swap ejector handle
Software Support	Operating System	Linux, VxWorks, Solaris and Windows
Other		
MTBF	MIL Handbook 217-F@TBD Hrs	
Certifications	Designed to meet FCC, CE and UL certifications where applicable	
Compliance	RoHS and NEBS	
Standards	VadaTech is certified to both the ISO9001:2000 and AS9100B:2004 standards	
Warranty	Two (2) years	
Trademarks and Disclaimer	The VadaTech logo is a registered trademark of VadaTech, Inc. Other registered trademarks are the property of their respective owners. AdvancedTCA™ and the AdvancedMC™ logo are trademarks of the PCI Industrial Computers Manufacturers Group. All rights reserved. Specification subject to change without notice	

cPCI 3U Graphics Board, 6 Mini Display Port – CP344

ORDERING OPTIONS

CP344 – 0BC – 000 – 0HJ

B = PCI-X Option

- 1 = 32-bit
- 2 = 64-bit

C = Front Panel Height

- 1 = 3U
- 2 = 6U

H= Operating Temperature

- 0 = Commercial
- 1 = Industrial

J = Conformal Coating

- 0 = None
- 1 = Humiseal 1A33 Polyurethane
- 2 = Humiseal 1B31 Acrylic

RELATED PRODUCTS



CP341 cPCI
Dual Channel DVI/VGA



ATC107 ATCA Carrier
for cPCI Boards



CP217 24-Port
Layer 2 Switch

CONTACT US

VadaTech Corporate Office

198 N. Gibson Rd.
Henderson, NV 89014
Email: info@vadatech.com
Telephone: +1 702 896-3337
Fax: +1 702 896-0332

Asia Pacific Sales Office

7th Floor, No. 2, Wenhua Street, Neihu District,
Taipei 114, Taiwan
Email: info@vadatech.com
Telephone: +886-2-2627-7655
Fax: +886-2-2627-7792

VadaTech European Sales Office

Ocean Village Innovation Centre, Ocean Way,
Ocean Village, Southampton, SO14 3JZ
Email: info@vadatech.com
Telephone: +44 2380 381982
Fax: +44 2380 381983