

# MRT575A

MicroTCA.4 RTM for AMC575,  
Passive

MRT575A

## Key Features

- MicroTCA.4 RTM for the AMC575
- Sixteen channel ADC/DAC signals routed to rear panel
- Clock/trigger routed to rear panel

## Benefits

- Expertise in RTM and MTCA.4 board design
- Full ecosystem of MicroTCA.4 AMCs, PMs, MCH, RTMs, chassis, and application-ready systems
- Design utilizes proven VadaTech subcomponents and engineering techniques
- Electrical, mechanical, software, and system-level expertise in house
- AS9100 and ISO9001 certified company

**AdvancedMC™**



**vadatech**  
THE POWER OF VISION



# MRT575

The MRT575 is a Rear Transition Module (RTM) for VadaTech's AMC575, routing analog signals to the rear panel.

VadaTech offers a wide range of MicroTCA.4 products, including full systems. Contact your local salesperson or representative for details.

# Block Diagram

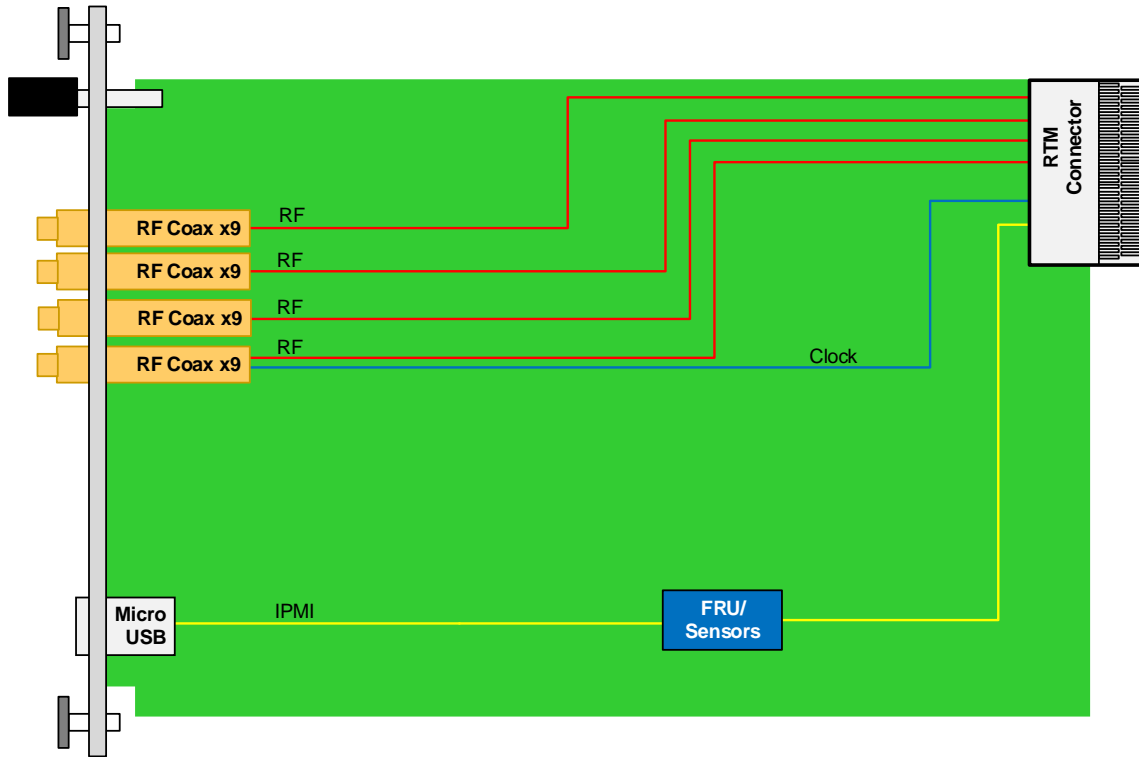


Figure 1: MRT575A Functional Block Diagram

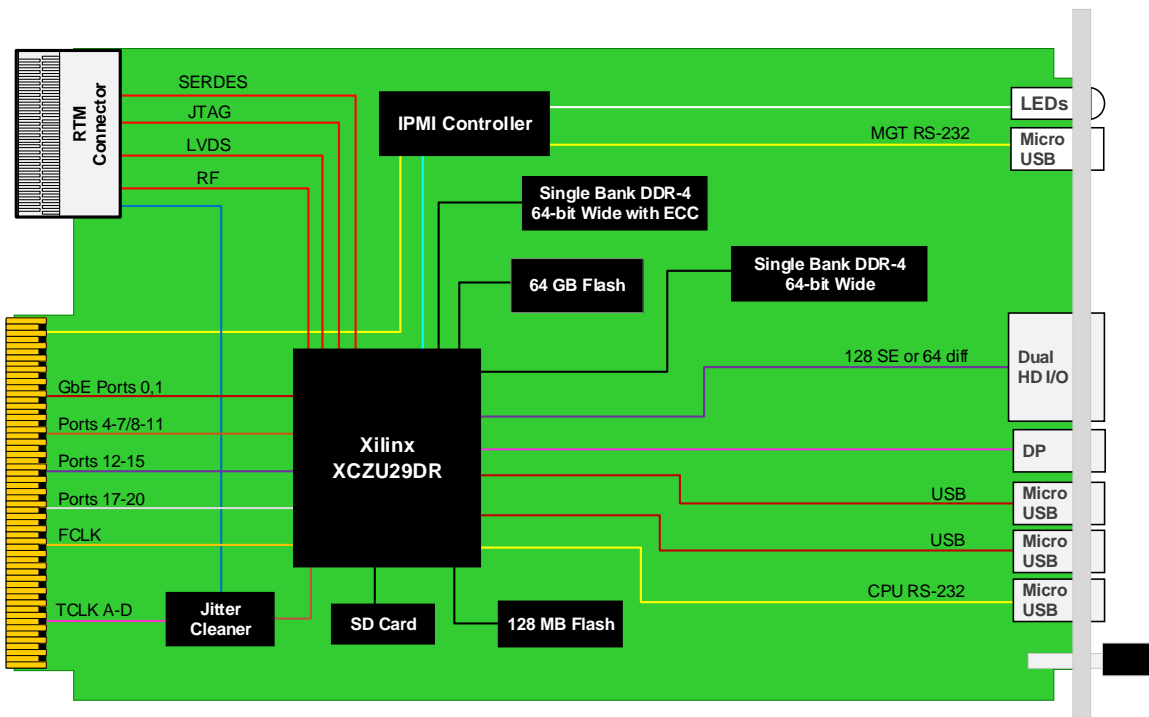


Figure 2: AMC575 Functional Block Diagram (sold separately)

# Specifications

Architecture		
Physical	Dimensions	Double module, mid-size (full-size optional)
		Width: 5.85" (148.5 mm)
		Depth 7.18" (182.6 mm)
Type		Weight: 0.3 lbs (136 g)
		Analog I/O MicroRTM
		Single Mezzanine Card Slot
Standards		
MTCA	Type	MTCA.4 RTM
Module Management	IPMI	IPMI v2.0
Configuration		
Power	MRT575A	TBD
Environmental	Temperature	See ordering options
		Storage Temperature: -40° to +85°C
	Vibration	Operating 9.8 m/s <sup>2</sup> (1 G), 5 to 500 Hz on each axis
		Shock
	Relative Humidity	5 to 95% non-condensing
Rear Panel	Interface Connectors	Four 9-way Nanonic coax
		MicroUSB for IPMI
	LEDs	IPMI management control
	Mechanical	Hot swap ejector handle
Software Support	Operating System	N/A
Other		
MTBF	MIL Hand book 217-F@ TBD hrs	
Certifications	Designed to meet FCC, CE and UL certifications, where applicable	
Standards	VadaTech is certified to both the ISO9001:2000 and AS9100B:2004 standards	
Warranty	Two (2) years	

## INTEGRATION SERVICES AND APPLICATION-READY PLATFORMS

VadaTech has a full ecosystem of OpenVPX, ATCA and MTCA products including chassis platforms, shelf managers, AMC modules, Switch and Payload Boards, Rear Transition Modules (RTMs), Power Modules, and more. The company also offers integration services as well as pre-configured Application-Ready Platforms. Please contact VadaTech Sales for more information.

# Ordering Options

MRT575A – 00C-000-00J

C = Front Panel Size	J = Temperature Range and Coating
1 = Reserved 2 = Reserved 3 = Reserved 4 = Reserved 5 = Mid-size, MTCA.4 (captive screws) 6 = Full-size, MTCA.4 (captive screws)	0 = Commercial (–5° to +55°C), No coating 1 = Commercial (–5° to +55°C), Humiseal 1A33 Polyurethane 2 = Commercial (–5° to +55°C), Humiseal 1B31 Acrylic 3 = Industrial (–20° to +70°C), No coating 4 = Industrial (–20° to +70°C), Humiseal 1A33 Polyurethane 5 = Industrial (–20° to +70°C), Humiseal 1B31 Acrylic

## Related Products

AMC523



- Dual DAC 16-bit @ 250 MSPS utilizing MAX5878 device (user programmable for lower sampling rate)
- Xilinx Kintex-7 FPGA XC7K410T in FFG900 package
- Supported by DAQ Series™ data acquisition software

VT811



- MTCA System Platform 19" x 8U x 14.9" deep (with handles 16.23" deep)
- Full redundancy with dual MicroTCA Carrier Hub (MCH), dual Cooling Units and quad Power Modules
- Up to twelve AMCs: 12 front mid-size double module slots and RTM slots

UTC018



- Double-module, 12 HP height module per AMC.0
- Universal AC input (85 to 265 V), 1000 W
- Provides power up to 12 AMCs, 2 MCHs and Cooling Units

# Contact

## VadaTech Corporate Office

198 N. Gibson Road, Henderson, NV 89014  
Phone: +1 702 896-3337 | Fax: +1 702 896-0332

## Asia Pacific Sales Office

7 Floor, No. 2, Wenhua Street, Neihu District, Taipei 114, Taiwan  
Phone: +886-2-2627-7655 | Fax: +886-2-2627-7792

## VadaTech European Sales Office

VadaTech House, Bulls Copse Road, Southampton, SO40 9LR  
Phone: +44 2380 016403

[info@vadatech.com](mailto:info@vadatech.com) | [www.vadatech.com](http://www.vadatech.com)

# Choose VadaTech

## We are technology leaders

- First-to-market silicon
- Constant innovation
- Open systems expertise

## We commit to our customers

- Partnerships power innovation
- Collaborative approach
- Mutual success

## We deliver complexity

- Complete signal chain
- System management
- Configurable solutions

## We manufacture in-house

- Agile production
- Accelerated deployment
- AS9100 accredited



**vadatech**  
THE POWER OF VISION

## Trademarks and Disclaimer

The VadaTech logo is a registered trademark of VadaTech, Inc. Other registered trademarks are the property of their respective owners. AdvancedTCA™ and the AdvancedMC™ logo are trademarks of the PCI Industrial Computers Manufacturers Group. All rights reserved. Specification subject to change without notice.

© 2018 VadaTech Incorporated. All rights reserved.  
DOC NO. 4FM737-12 REV 01 | VERSION 1.0 – NOV/18