

Power Module, DC, 792W (Double Width) – UTC013

DC Power Module, 792W



μTCA™

KEY FEATURES

- Double-module, full-size module per AMC.0
- Dual DC input (–36V to –75V)
- 792W (available in 396W)
- Modules can be turned on without an MCH
- Available in UTCA.3 conduction cooled
- Two banks of 256K Flash for redundancy
- Hot swappable
- Dual IPMI bus
- 32-bit RISC processor
- Blue, red, amber and red LEDs
- IPMI 2.0 and HPM.1 compliant
- Menu driven software for ease of configuration
- Current sensor per slot
- External as well internal WDT

Benefits of Choosing VadaTech

- DC PSU for MicroTCA (792W)
- Very low ripple voltage
- Support for power module redundancy
- Efficient re-use of existing designs/components reduce costs
- Electrical, mechanical, software and system-level expertise in house
- Full ecosystem of front and rear boards, enclosures, speciality modules, and test/dev product from one source

The VadaTech UTC013 is a 792W power module (available in 396W) for use in a μTCA chassis. The power module runs at 95% efficiency when running at maximum load. This results in over 752W available to the system. It is fully compliant with the MicroTCA.0 revision 1.0 specification; including dual-redundant I2C buses (IPMB-0).

The UTC013 is hot-swappable and fully redundant when used in conjunction with a second instance of the module. It provides power to the twelve slots, two MCHs (MicroTCA Carrier Hubs) as well as the CUs (Cooling Units).

Multiple temperature sensors are included on-board to monitor for over-temp conditions within the module. The current is continuously measured for each of the modules and reported to MCH for any fault.

Once installed in the system the firmware is upgradable via the shelf manager. The UTC013 can be configured to power and enable the modules without the presence of an MCH.

VadaTech can modify this product to meet special customer requirements. Contact us to discuss your application.

Power Module, DC, 792W (Double Width) – UTC013

IPMI FUNCTIONALITY

The UTC013 is IPMI 2.0 and HPM.1 compliant with optional IPMI commands including warm/cold reset, re-arm sensor events, get device GUID, and get/set the hysteresis, threshold, and/or sensor event enable. The PMs follow the ATCA specification in fail-over for redundant IPMB-0 and FRU LED control. The units also have power channel control, get power channel status, PM reset, get PM status, and PM heartbeat. Temperature and current sensors are also included.

INTEGRATION SERVICES AND APPLICATION-READY PLATFORMS

VadaTech has a full ecosystem of ATCA and μ TCA products including chassis platforms, shelf managers, AMC modules, Switch and Payload Boards, Rear Transition Modules (RTM), Power Modules, and more. The company also offers integration services as well as pre-configured Application-Ready Platforms. Please contact VadaTech Sales for more information.

BLOCK DIAGRAM

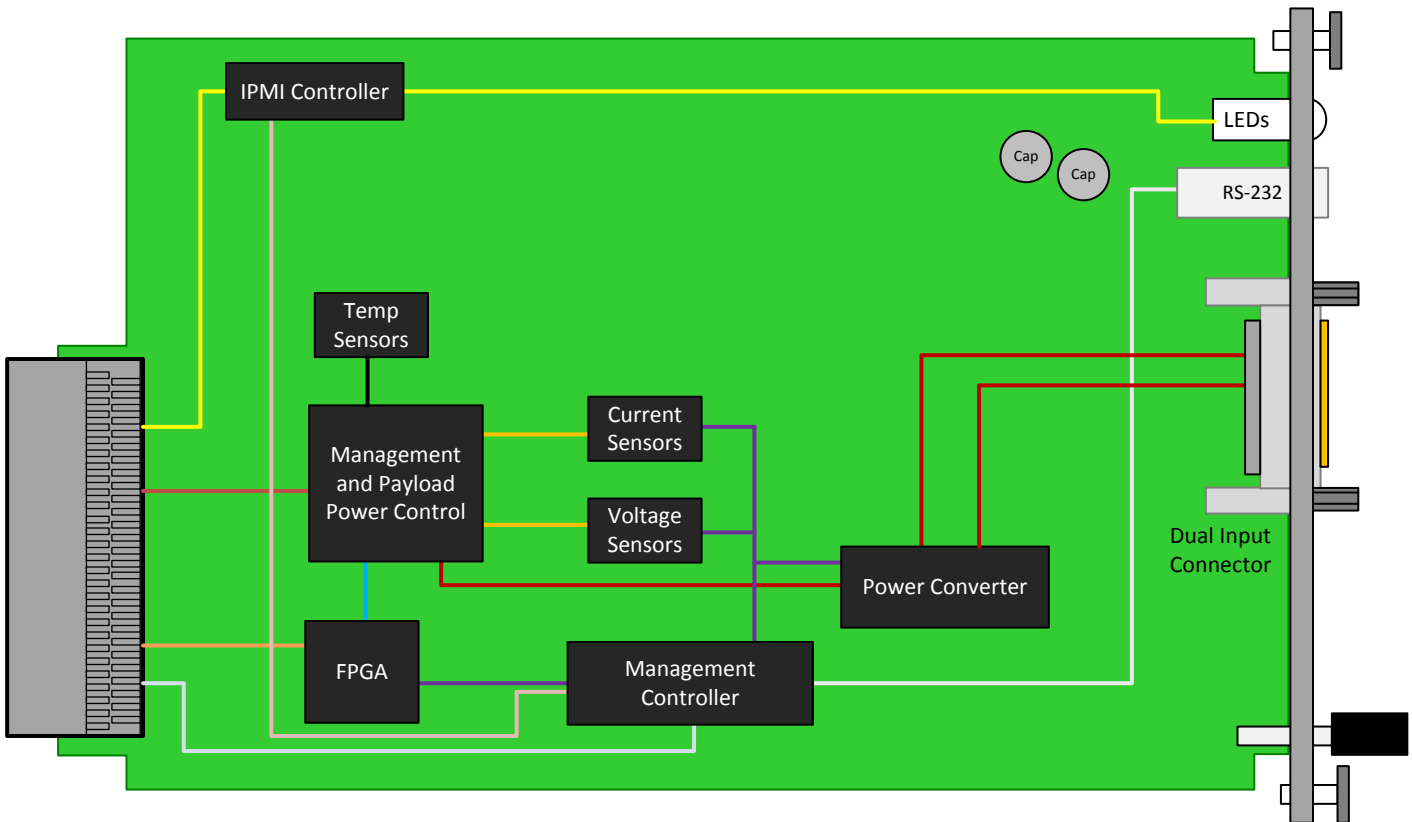


Figure 1: UTC013 Block Diagram



Figure 2: Front Panel

SPECIFICATIONS

Architecture		
Physical	Dimensions	Width: 5.85" (148.5 mm)
		Depth 7.11" (180.6 mm)
Type	AMC Power Module	Intelligent power controller for μ TCA chassis
Standards		
Module Management	IPMI	IPMI version 2.0
	ATCA	PICMG 3.0 Revision 2.0 (AdvancedTCA)
	AMC	PICMG AMC.0 Revision 1.0 (AdvancedMC)
	μ TCA	PICMG MicroTCA.0 Revision 1.0
	HPM	HPM.1 Revision 1.0
Power	UTC0013	792W supply with 95% efficiency, providing over 752W to the system)
Environmental	Temperature	Operating Temperature: 0° to 65°C with air flow greater than 400 LFM (available in μ TCA.3) Storage Temperature: -40° to +90°C
	Vibration	1G, 5 to 500Hz on each axis
	Shock	30Gs on each axis
	Relative Humidity	5 to 95 per cent, non-condensing
	Front Panel	External Interface
	LEDs	IPMI management control: blue, red, amber, green and fuse indicator for each input rail
	Switch	Hot swap switch input with ± 15 KV ESD protection
	Input Power	-36V DC to -75V DC
	Temperature Sensor	Multiple temperature sensors on-board
Other		
MTBF	MIL Hand book 217-F @ TBD Hrs	
Certifications	Designed to meet FCC, CE and UL certifications where applicable	
Standards	VadaTech is certified to both the ISO9001:2000 and AS9100B:2004 standards	
Compliance	RoHS and NEBS	
Warranty	Two (2) years	
Trademarks and Disclaimer	The VadaTech logo is a registered trademark of VadaTech, Inc. Other registered trademarks are the property of their respective owners. AdvancedTCA™ and the AdvancedMC™ logo are trademarks of the PCI Industrial Computers Manufacturers Group. All rights reserved. Specification subject to change without notice	

Power Module, DC, 792W (Double Width) – UTC013

ORDERING OPTIONS

UTC013 – ABC – 000 – 0HJ

A = Power

- 1 = 396W
- 2 = 792W

B = Specification

- 0 = uTCA.0*
- 1 = uTCA.1
- 2 = uTCA.3

C = Module Size

- 0 = 6 HP, Standard
- 1 = 8 HP, Extended*

H = Temperature Range

- 1 = Commercial (0° to +65°C)
- 2 = Industrial (-20° to +70°C)
- 3 = Military (-40° to +80°C)

J = Conformal Coating

- 0 = None
- 1 = Humiseal 1A33 Polyurethane
- 2 = Humiseal 1B31 Acrylic

* For use with Vadatech 2U chassis, such as VT812 and VT814

RELATED PRODUCTS



UTC003 MCH



UTC020 Power Module
1000W DC



UTC011 Power Module
Conduction Cooled

CONTACT US

VadaTech Corporate Office

198 N. Gibson Rd.
Henderson, NV 89014
Email: info@vadatech.com
Telephone: +1 702 896-3337
Fax: +1 702 896-0332

Asia Pacific Sales Office

7th Floor, No. 2, Wenhua Street, Neihu District,
Taipei 114, Taiwan
Email: info@vadatech.com
Telephone: +886-2-2627-7655
Fax: +886-2-2627-7792

VadaTech European Sales Office

Ocean Village Innovation Centre, Ocean Way,
Ocean Village, Southampton, SO14 3JZ
Email: info@vadatech.com
Telephone: +44 2380 381982
Fax: +44 2380 381983