

Power Module, AC, 1000W (12HP, Double Width) – UTC018

1000W, 12HP Power Module



KEY FEATURES

- Double-module, 12HP height module per AMC.0
- Universal AC input (85 to 265V), 1000W
- Provides power up to 12 AMCs, 2 MCHs and Cooling Units
- Very low ripple voltage on +12 V
- Hot swappable with two banks of 256K flash for redundancy
- Dual IPMI bus
- 32-bit RISC processor
- Blue, red, amber and red LEDs
- IPMI 2.0 and HPM.1 compliant
- Menu driven software for ease of configuration
- Current sensor per slot

μTCA™

Benefits of Choosing VadaTech

- Highest power AC PSU for MicroTCA in industry (1000W)
- Conveniently sized to fit double width vertical-mount chassis
- Very low ripple voltage
- Support for power module redundancy
- Efficient re-use of existing designs/components reduce costs
- Electrical, mechanical, software and system-level expertise in house
- Full ecosystem of front and rear boards, enclosures, speciality modules, and test/dev product from one source

The UTC018 is a 1000W Power Module for use in a MicroTCA chassis providing up to 800W output power. It is fully compliant with the MicroTCA.0 Revision 1.0 specification; including dual-redundant I²C buses (IPMB-0). The module is 12 HP, taking two full-size slots in a chassis. The UTC018 is hot-swappable and fully redundant when used in conjunction with a second module. Multiple temperature sensors are included on-board to monitor for over-temperature conditions within the unit. The current is continuously measured for each of the modules and reported to MCH for any faults. Once installed in the system, the firmware is upgradable via the Shelf Manager. The UTC018 can be configured to power and enable the modules without the presence of an MCH during development.

Power Module, AC, 1000W (12HP, Double Width) – UTC018

SPECIFICATIONS

Architecture		
Physical	Dimensions	Width: 5.85" (148.5 mm)
		Depth 7.11" (180.6 mm)
Type	AMC Power Module	Intelligent power controller for μ TCA chassis
Standards		
Module Management	IPMI	IPMI version 2.0
	ATCA	PICMG 3.0 Revision 2.0 (AdvancedTCA)
	AMC	PICMG AMC.0 Revision 1.0 (AdvancedMC)
	μ TCA	PICMG MicroTCA.0 Revision 1.0
	HPM	HPM.1 Revision 1.0
Power	UTC0018	1000W supply (up to 800W output)
		Input 85 to 265V AC (Input current 6.8 A / 3.4 A) with frequency 47 to 63Hz
Environmental	Temperature	Operating Temperature: 0° to 40°C (airflow and de-rating requirements apply)
		Storage Temperature: -40° to +90°C
	Vibration	1G, 5 to 500Hz on each axis
	Shock	30Gs on each axis
	Relative Humidity	5 to 95 per cent, non-condensing
Front Panel	External Interface	RS-232 front panel access
	LEDs	IPMI management control: blue, red, amber, green and fuse indicator for each input rail
	Switch	Hot swap switch input with ± 15 KV ESD protection
	Input Power	Universal AC
	Temperature Sensor	Multiple temperature sensors on-board
Other		
MTBF	MIL Hand book 217-F @ TBD Hrs	
Certifications	Designed to meet FCC, CE and UL certifications where applicable	
Standards	VadaTech is certified to both the ISO9001:2000 and AS9100B:2004 standards	
Compliance	RoHS and NEBS	
Warranty	Two (2) years	
Trademarks and Disclaimer	The VadaTech logo is a registered trademark of VadaTech, Inc. Other registered trademarks are the property of their respective owners. AdvancedTCA™ and the AdvancedMC™ logo are trademarks of the PCI Industrial Computers Manufacturers Group. All rights reserved. Specification subject to change without notice	

IPMI FUNCTIONALITY

The UTC018 is IPMI 2.0 and HPM.1 compliant with optional IPMI commands including warm/cold reset, re-arm sensor events, get device GUID, and get/set the hysteresis, threshold, and/or sensor event enable. The PMs follow the ATCA specification in fail-over for redundant IPMB-0 and FRU LED control. The units also have power channel control, get power channel status, PM reset, get PM status, and PM heartbeat. Temperature and current sensors are also included.

INTEGRATION SERVICES AND APPLICATION-READY PLATFORMS

VadaTech has a full ecosystem of ATCA and μ TCA products including chassis platforms, shelf managers, AMC modules, Switch and Payload Boards, Rear Transition Modules (RTM), Power Modules, and more. The company also offers integration services as well as pre-configured Application-Ready Platforms. Please contact VadaTech Sales for more information.

BLOCK DIAGRAM

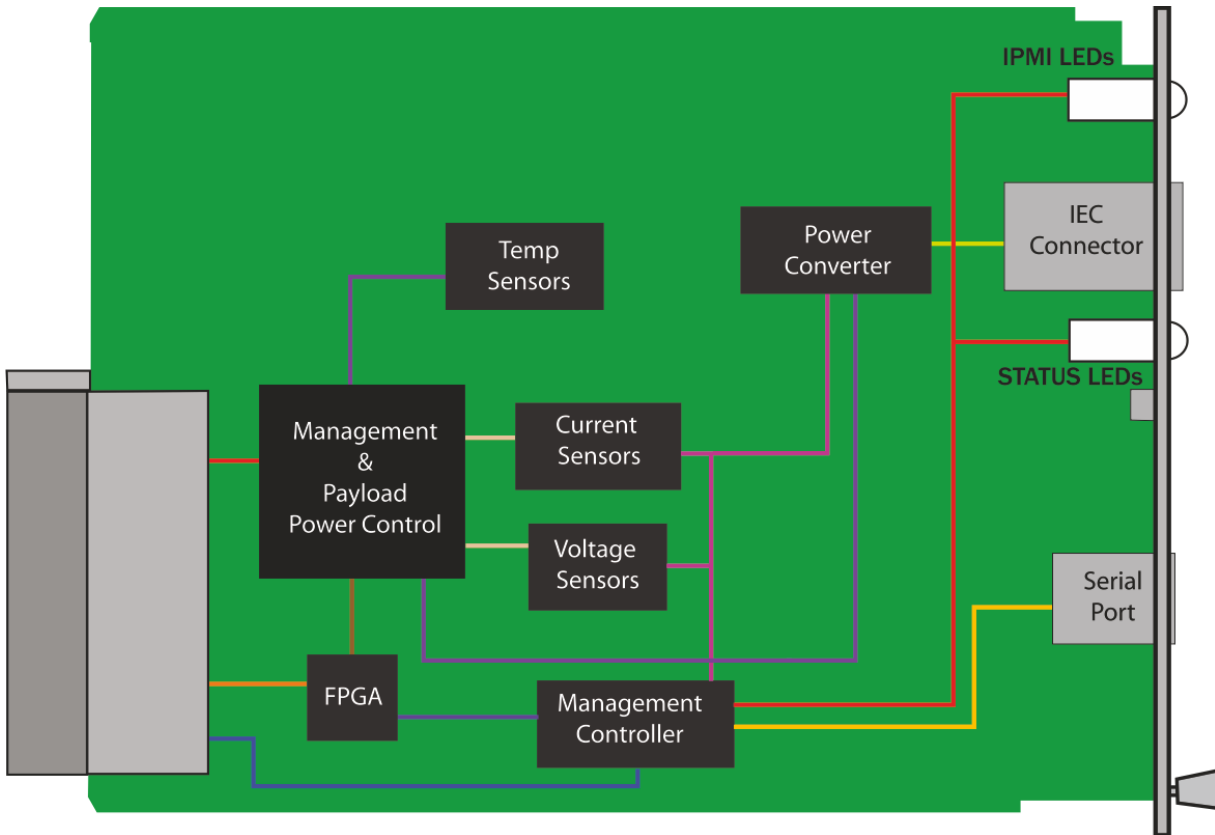


Figure 2: Front Panel

Power Module, AC, 1000W (12HP, Double Width) – UTC018

ORDERING OPTIONS

UTC018 – 000 – 000 – 0HJ

H = Temperature Range

- 1 = Commercial (0° to +40°C)
- 2 = Reserved
- 3 = Reserved

J = Conformal Coating

- 0 = None
- 1 = Humiseal 1A33 Polyurethane
- 2 = Humiseal 1B31 Acrylic

RELATED PRODUCTS



UTC003 MCH



UTC020 Power Module
1000W DC



UTC011 Power Module
Conduction Cooled

CONTACT US

VadaTech Corporate Office

198 N. Gibson Road,
Henderson, NV 89014
Email: info@vadatech.com
Telephone: +1 702 896-3337
Fax: +1 702 896-0332

Asia Pacific Sales Office

7th Floor, No. 2, Wenhua Street, Neihu District, Taipei
114, Taiwan
Email: info@vadatech.com
Telephone: +886-2-2627-7655
Fax: +886-2-2627-7792

VadaTech European Sales Office

Ocean Village Innovation Centre, Ocean Way,
Ocean Village, Southampton, SO14 3JZ
Email: info@vadatech.com
Telephone: +44 2380 381982
Fax: +44 2380 381983