

Single Slot Backplane for AMC Modules – VT072

Single Slot Backplane



KEY FEATURES

- Single slot AMC backplane
- Provides +12V and Management Power to the AMC Module
- Port 0 and 1 are routed to the GbE PHY
- Three M3 Mounting holes to mate to any frame size
- RoHS compliant

Benefits of Choosing VadaTech

- Low-cost test/dev board for AMC modules
- Design utilizes proven VadaTech subcomponents and engineering techniques
- Electrical, mechanical, software, and system-level expertise in house
- Full ecosystem of front and rear boards, enclosures, specialty modules, and test/dev products from one source
- Designed and manufactured in the USA
- AS9100 and ISO9001 certified company

The VT072 is single slot backplane which allows any AMC.1, AMC.2, AMC.3 or AMC.4 to be utilized. The board is ideal for low-cost testing/development of AMC modules.

The VT072 requires +12 V input power (connector part number 43045-0229 THRU HDR) which is applied from an external power supply.

Single Slot Backplane for AMC Modules – VT072

INTEGRATION SERVICES AND APPLICATION-READY PLATFORMS

VadaTech has a full ecosystem of ATCA and μ TCA products including chassis platforms, shelf managers, AMC modules, Switch and Payload Boards, Rear Transition Modules (RTM), Power Modules, and more. The company also offers integration services as well as pre-configured Application-Ready Platforms. Please contact VadaTech Sales for more information.

BLOCK DIAGRAM

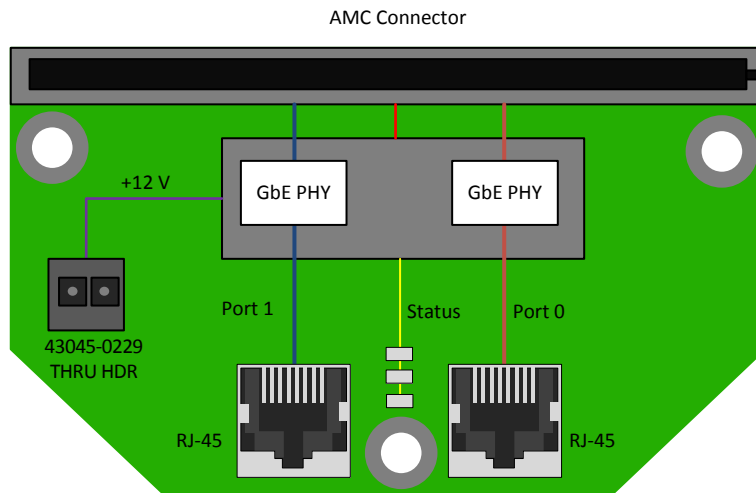


Figure 1: VT072 Block Diagram

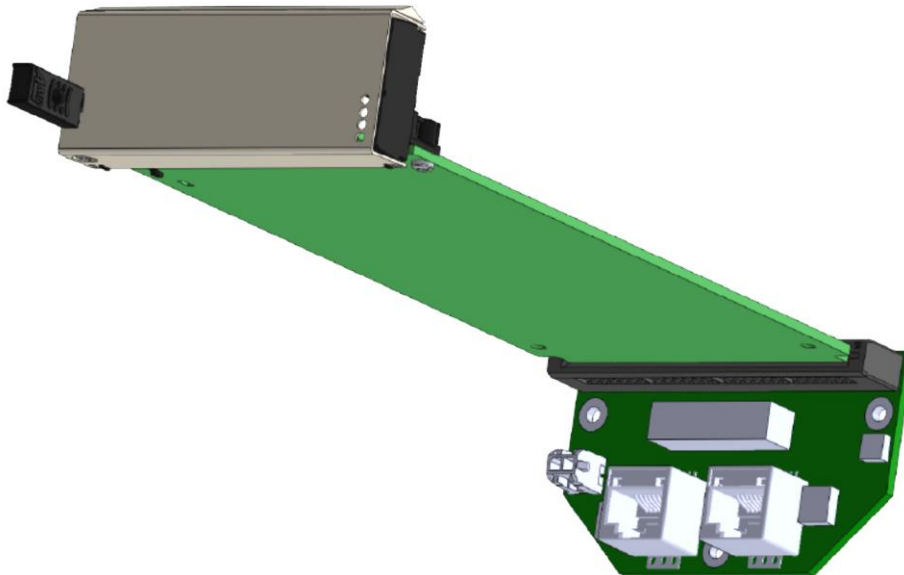


Figure 2: VT072 with an AMC Module

Single Slot Backplane for AMC Modules – VT072

SPECIFICATIONS

Architecture		
Physical	Dimensions	Width: 3" (76.2 mm)
		Length: 1.75" (44.45 mm)
Type	Backplane	Single slot
Standards		
AMC	PICMG	AMC.0
Configuration		
Power	VT072	2 W
Environmental	Temperature	Operating Temperature: 0° to 65° C, (Air flow requirement is to be greater than 10 LFM)
		Storage Temperature: -40° to +90° C
	Vibration	1G, 5 – 500 Hz on each axis
	Shock	30Gs on each axis
	Relative Humidity	5 to 95 percent, non-condensing
Front Panel	Interface Connectors	Two RJ-45 for GbE
		12 V power supply connector
	LEDs	Payload power, Management power and PCIe Lane Good
Other		
MTBF	MIL Hand book 217-F @ TBD Hrs	
Certifications	Designed to meet FCC, CE and UL certifications where applicable	
Standards	VadaTech is certified to both the ISO9001:2000 and AS9100B:2004 standards	
Compliance	RoHS and NEBS	
Warranty	Two (2) years	
Trademarks and Disclaimer	The VadaTech logo is a registered trademark of VadaTech, Inc. Other registered trademarks are the property of their respective owners. AdvancedTCA™ and the AdvancedMC™ logo are trademarks of the PCI Industrial Computers Manufacturers Group. All rights reserved. Specification subject to change without notice	

Single Slot Backplane for AMC Modules – VT072

ORDERING OPTIONS

VT072 – 000 – 000 – 0HJ

H = Operating Temperature

- 1 = Commercial
- 2 = Reserved

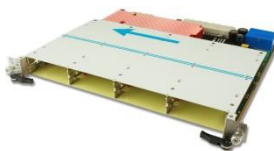
J = Conformal Coating

- 0 = None
- 1 = Humiseal 1A33 Polyurethane
- 2 = Humiseal 1B31 Acrylic

RELATED PRODUCTS



VT830 5U ATCA
SlotSaver Chassis



ATC133 ATCA
Carrier Quad AMC



ART131 ATCA RTM
Common Pinout

CONTACT US

VadaTech Corporate Office

198 N. Gibson Rd.
Henderson, NV 89014
Email: info@vadatech.com
Telephone: +1 702 896-3337
Fax: +1 702 896-0332

Asia Pacific Sales Office

7 Floor, No. 2, Wenhui Street, Neihu District,
Taipei 114, Taiwan
Email: info@vadatech.com
Telephone: +886-2-2627-7655
Fax: +886-2-2627-7792

VadaTech European Sales Office

Ocean Village Innovation Centre, Ocean Way,
Ocean Village, Southampton, SO14 3JZ
Email: info@vadatech.com
Telephone: +44 2380 381982
Fax: +44 2380 381983