

# VT211

## Ethernet Layer 2/3 Managed Switch



VT211

## Key Features

- Ethernet Layer 2/3 managed switch
- Custom form factor
- Conduction cool

## Benefits

- Electrical, mechanical, software, and system-level expertise in house
- Full system supply from industry leader
- AS9100 and ISO9001 certified company



**vadatech**  
THE POWER OF VISION



# VT211

The VT211 is a very small custom form factor GbE Managed layer two/three switch. Module comes in conduction cool or customers could develop their own skyline heat sink for propriety implementation.

Key feature of the switch:

- QoS and SLA
- Bridge Forwarding Data Base (FBD with 16 entries for storing MAC Address)
- Router Longest prefix Match (LPM) TCAM engine for up to 13K IPv4 and 3.25K IPv6 entries
- Q-in-Q and DSL TR101/TR156
- VLAN
- IEEE 802.1D and 802.1Q compliant
- (RSTP) and 802.1s (MSTP)
- IGMPv3 and MLDv2
- Link-Aggregation Groups
- TCAM-based Longest Prefix Match (LPM) for IPv4/6 and IP Multicast
- Policy-based routing



Figure 1: VT211



Figure 2: VT211 Top View

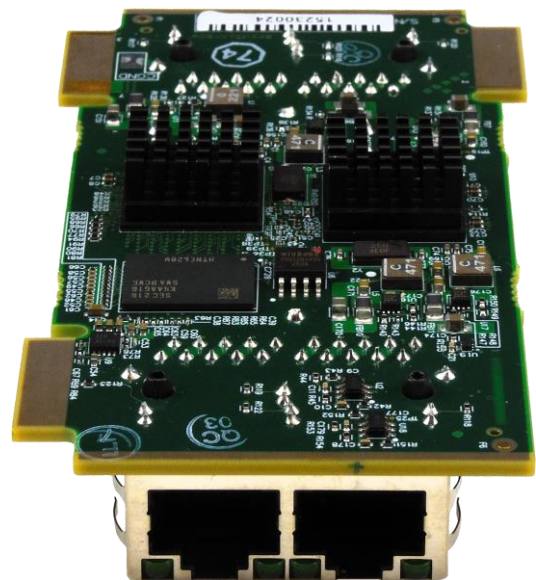


Figure 3: VT211 Front View

## Block Diagram

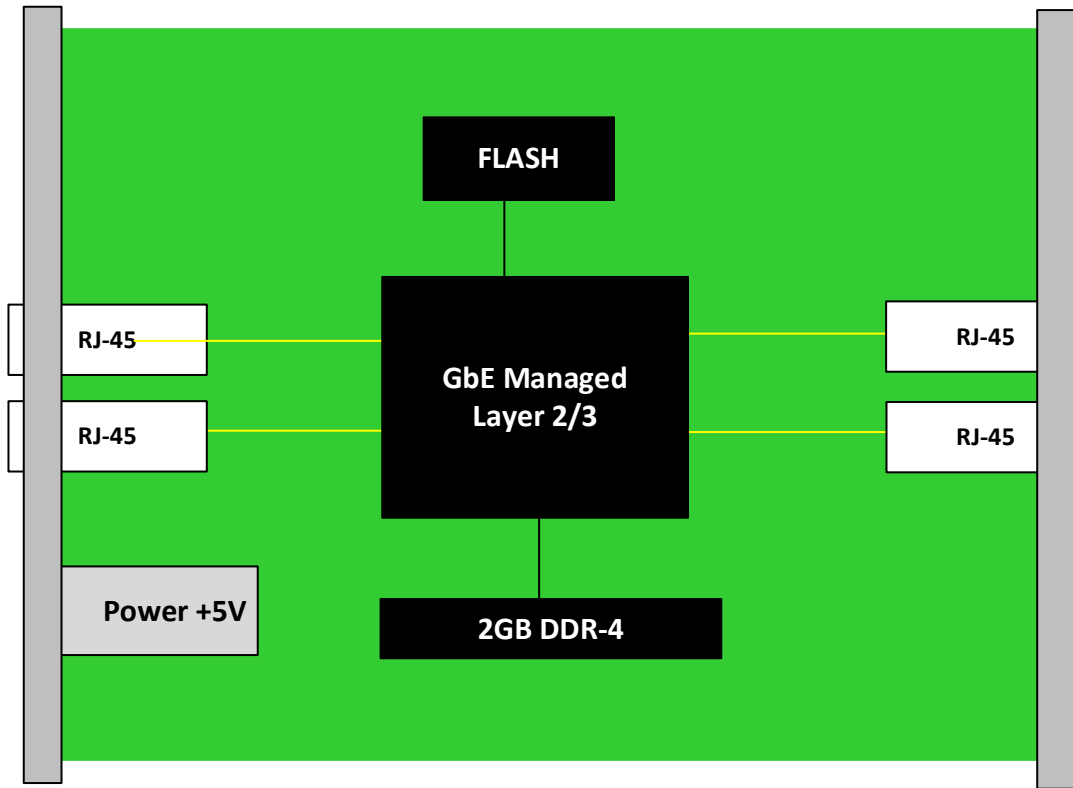


Figure 2: VT211 Functional Block Diagram

# Specifications

<b>Architecture</b>		
<b>Physical</b>	<b>Dimensions</b>	W: ~55mm L: ~94 D: ~14mm
<b>Configuration</b>		
<b>Power</b>	<b>VT211</b>	5W
<b>Rear Panel</b>	<b>Connectors</b>	Four RJ-45 On board RS-232 Serial Port
	<b>Power Supplies</b>	+5V
<b>Other</b>		
<b>MTBF</b>	MIL Hand book 217-F@ TBD hrs	
<b>Certifications</b>	Designed to meet FCC, CE and UL certifications, where applicable	
<b>Standards</b>	VadaTech is certified to both the ISO9001 and AS9100D:2015 standards	
<b>Warranty</b>	Two (2) years, see <a href="#">VadaTech Terms and Conditions</a>	

## INTEGRATION SERVICES AND APPLICATION-READY PLATFORMS

VadaTech has a full ecosystem of OpenVPX, ATCA and MTCA products including chassis platforms, shelf managers, AMC modules, Switch and Payload Boards, Rear Transition Modules (RTMs), Power Modules, and more. The company also offers integration services as well as pre-configured Application-Ready Platforms. Please contact VadaTech Sales for more information.

# Ordering Options

## VT211 – A00-000-00J

<b>A = Conduction Cool Shell</b>		
0 = None 1 = With the Shell		
		<b>J = Conformal Coating</b>
		0 = No coating 1 = Humiseal 1A33 Polyurethane 2 = Humiseal 1B31 Acrylic

## Related Products

VPX518



- 3U FPGA carrier for FPGA Mezzanine Card (FMC) per VITA 46 and VITA 57
- Xilinx Zynq-7000 FPGA in FFG-900 package (XC7Z100 or XC7Z045)
- Protocols such as PCIe, SRIO, 10GbE/40Gbe, etc. are FPGA programmable

VPX754



- 3U VPX module Intel 5th Generation Xeon D-1577, D-1548 or D-1520 (Broadwell) System-on-Chip (SoC)
- PCIe Gen3 dual x4 or single x8
- Front-panel video out via micro HDMI

VTX870



- Open VPX benchtop development platform
- Dedicated Switch/management slot
- Up to five 3U VPX payload slots

# Contact

## VadaTech Corporate Office

198 N. Gibson Road, Henderson, NV 89014

Phone: +1 702 896-3337 | Fax: +1 702 896-0332

## Asia Pacific Sales Office

7 Floor, No. 2, Wenhua Street, Neihu District, Taipei 114, Taiwan

Phone: +886-2-2627-7655 | Fax: +886-2-2627-7792

## VadaTech European Sales Office

VadaTech House, Bulls Copse Road, Southampton, SO40 9LR

Phone: +44 2380 016403

[info@vadatech.com](mailto:info@vadatech.com) | [www.vadatech.com](http://www.vadatech.com)

# Choose VadaTech

## We are technology leaders

- First-to-market silicon
- Constant innovation
- Open systems expertise

## We commit to our customers

- Partnerships power innovation
- Collaborative approach
- Mutual success

## We deliver complexity

- Complete signal chain
- System management
- Configurable solutions

## We manufacture in-house

- Agile production
- Accelerated deployment
- AS9100 accredited



**vadatech**  
THE POWER OF VISION

## Trademarks and Disclaimer

The VadaTech logo is a registered trademark of VadaTech, Inc. Other registered trademarks are the property of their respective owners. AdvancedTCA™ and the AdvancedMC™ logo are trademarks of the PCI Industrial Computers Manufacturers Group. All rights reserved. Specification subject to change without notice.

© 2019 VadaTech Incorporated. All rights reserved.  
DOC NO. 4FM737-12 REV 01 | VERSION 1.2 – MAY/24