

VT978

**10GbE/1GbE Media Converter
Optical to Copper with IEEE1588
Pass thru and Sync-E**

VT978



vadatech
THE POWER OF VISION

Key Features

- 10G/1G Media converter from Optical <-> Copper with IEEE-1588 pass thru and Sync-E
- Optic via SFP+
- Copper via RJ-45
- Clock Recovery from upstream Grand Master Clock on either Fiber or Copper side with pass thru to the other side

Benefits

- Electrical, mechanical, software, and system-level expertise in house
- Full system supply from industry leader
- AS9100 and ISO9001 certified company



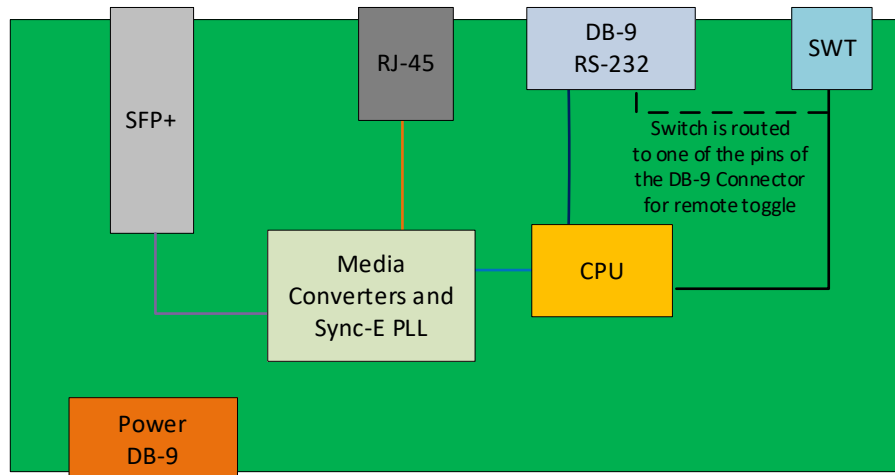
VT978

The VT978 is a standalone media converter that converts 10GbE/1GbE from optical <-> copper with pass thru IEEE-1588 and Sync-E capabilities. The optical side is interfaced via SFP+ and the copper side is via RJ-45. The clock recovery from the Grand Master Clock for Sync-E is recoverable from either the optical or the copper side with pass thru to the other side.

The module could be purchased without any metal installed for custom installation. The input power to the module is +12V.

NOTE: The media converters do not translate the speed of the connection. Both ports must be 10GbE or both ports must be 1GbE.

Figure 1: VT978



Specifications

Architecture	
Physical	Dimensions Width: 4.2" (107 mm) without the metal (PCB only) Length: 4.4" (112 mm) without the metal (PCB only)
Type	Media Converter 10G/1G optical <-> copper
Standards	
Module Management	IPMI IPMI v2.0 and PICMG 3.0
Configuration	
Power	VT978 3W, +12V input voltage
Environmental	Temperature See Ordering Options Storage Temperature: -45° to +90°C
Other	
MTBF	MIL Hand book 217-F@ TBD hrs
Certifications	Designed to meet FCC, CE and UL certifications, where applicable
Standards	VadaTech is certified to both the ISO9001:2000 and AS9100B:2004 standards
Warranty	Two (2) years, see VadaTech Terms and Conditions

INTEGRATION SERVICES AND APPLICATION-READY PLATFORMS

VadaTech has a full ecosystem of OpenVPX, ATCA and MTCA products including chassis platforms, shelf managers, AMC modules, Switch and Payload Boards, Rear Transition Modules (RTMs), Power Modules, and more. The company also offers integration services as well as pre-configured Application-Ready Platforms. Please contact VadaTech Sales for more information.

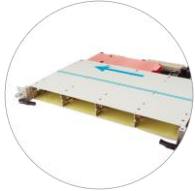
Ordering Options

VT978 – A00-000-0HJ

A = SFP+ Transceiver		
0 = 10/1G SR 1 = 10/1G LR (1KM) 2 = 10/1G LR (10KM)		
		H = Operating Temperature Range
		0 = Commercial (-5° to 65°C) 1 = Industrial (-40° to 85°C)
		J = Conformal Coating
		0 = No coating 1 = Humiseal 1A33 Polyurethane 2 = Humiseal 1B31 Acrylic

Related Products

ATC133



- 10G ATCA Carrier
- Managed Layer 2 software
- Four full-size AMC slots

VT000



- Allows connection to shelf managers (such as VadaTech's bench-top style VT007)
- Powers a single ATCA module
- IPMI hardware address and parity

VT830



- 19" rackmount 6U ATCA Chassis with integrated Switch and Shelf Manager
- 10GbE/GbE Managed Layer 2
- 40GbE/10GbE/GbE Managed Layer 3

Contact

VadaTech Corporate Office

198 N. Gibson Road, Henderson, NV 89014

Phone: +1 702 896-3337 | Fax: +1 702 896-0332

Asia Pacific Sales Office

7 Floor, No. 2, Wenhua Street, Neihu District, Taipei 114, Taiwan

Phone: +886-2-2627-7655 | Fax: +886-2-2627-7792

VadaTech European Sales Office

VadaTech House, Bulls Copse Road, Southampton, SO40 9LR

Phone: +44 2380 016403

info@vadatech.com | www.vadatech.com

Choose VadaTech

We are technology leaders

- First-to-market silicon
- Constant innovation
- Open systems expertise

We commit to our customers

- Partnerships power innovation
- Collaborative approach
- Mutual success

We deliver complexity

- Complete signal chain
- System management
- Configurable solutions

We manufacture in-house

- Agile production
- Accelerated deployment
- AS9100 accredited



vadatech
THE POWER OF VISION

Trademarks and Disclaimer

The VadaTech logo is a registered trademark of VadaTech, Inc. Other registered trademarks are the property of their respective owners. AdvancedTCA™ and the AdvancedMC™ logo are trademarks of the PCI Industrial Computers Manufacturers Group. All rights reserved. Specification subject to change without notice.

© 2019 VadaTech Incorporated. All rights reserved.
DOC NO. 4FM737-12 REV 01 | VERSION 2.2 – MAY/24