

# VT985

## 19" Rackmount IBERT Testing Module



VT985

### Key Features

- 19" Rackmount IBERT testing module
- High Density Connector for TTL, MIL-STD-751, RS-422, RS-485, STANAG-3909 and STANAG-4193 I/O
- SMA connectors for audio outputs
- +12, +20 and +48 V power inputs
- Power failure LEDs

### Benefits

- Compact size
- 19" rackmount design for test and development
- Electrical, mechanical, software, and system-level expertise in house
- Full system supply from industry leader
- AS9100 and ISO9001 certified company



**vadatech**  
THE POWER OF VISION



# VT985

The VT985 is a 19" rackmount testing module for IBERT testing the OpenVPX modules. The module is 19" x 4" compact design.

The module supports TTL inputs, MIL-STD-751 inputs, STANAG-3909 inputs, STANAG-4193 inputs, RS-422 Input/output, RS-485 input/output and audio output channels through a high-density connector on the front. There are four additional SMA connectors to support audio channels.

There is an on-board SATA loop back connector on the PCB.

The module can be supplied with +12 V, +20 V and +48 V power supplies.



Figure 1: VT985

# Block Diagram

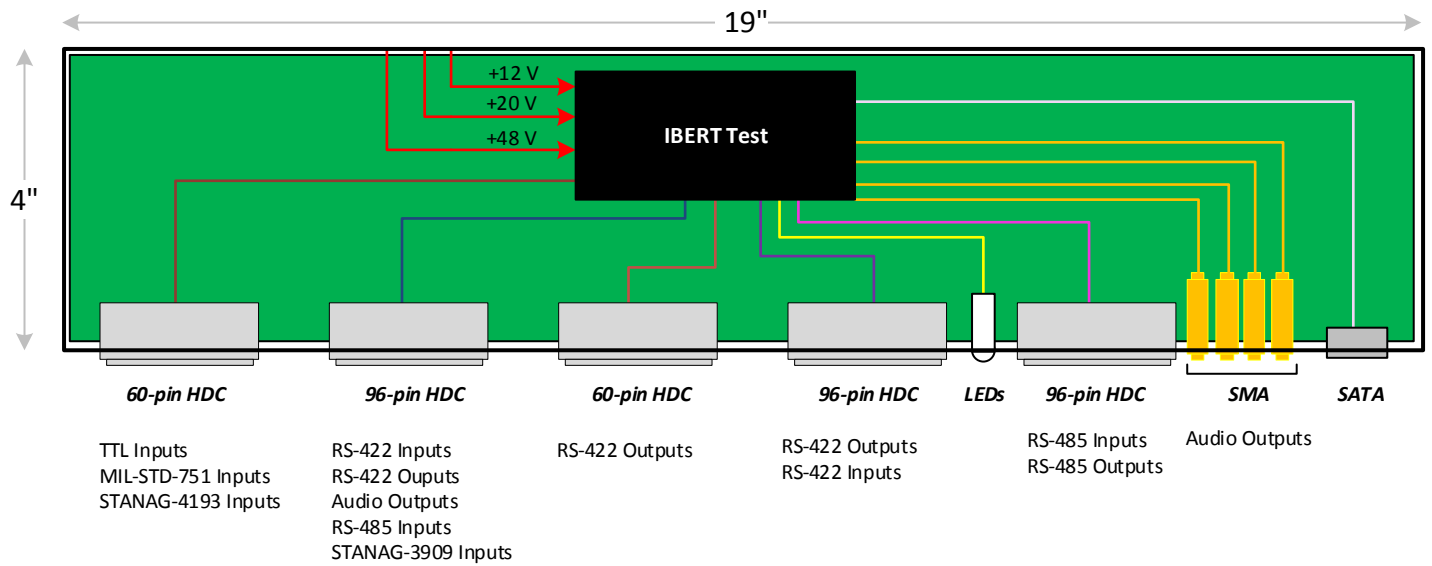


Figure 2: VT985 Functional Block Diagram



Figure 3: VT985 Front View



Figure 4: VT985 Rear View

# Specifications

<b>Architecture</b>		
<b>Physical</b>	<b>Dimensions</b>	Width: 19" Depth: 4"
<b>Type</b>	<b>Rackmount</b>	IBERT Testing Module
<b>Standards</b>		
<b>VPX</b>	<b>Type</b>	OpenVPX
<b>Configuration</b>		
<b>Power</b>	<b>VT985</b>	Application dependent
<b>Environmental</b>	<b>Temperature</b>	Operating temperature: -5° to 55°C, see <a href="#">environmental spec sheet</a> Storage Temperature: -40° to +85°C
	<b>Vibration</b>	Operating 9.8 m/s <sup>2</sup> (1G), 5 to 500 Hz on each axis
	<b>Shock</b>	Operating 30G on each axis
	<b>Relative Humidity</b>	5 to 95% non-condensing
<b>Front Panel</b>	<b>Interface Connectors</b>	2 x 60-pin high density connectors 3 x 96-pin high density connectors 4 x SMA connectors
	<b>Switches</b>	Power toggle and 2 x push button
	<b>LEDs</b>	Power failure status
	<b>Mechanical</b>	Power switch
<b>Software Support</b>	<b>Operating System</b>	Agnostic
<b>Other</b>		
<b>MTBF</b>		MIL Hand book 217-F@ TBD hrs
<b>Certifications</b>		Designed to meet FCC, CE and UL certifications, where applicable
<b>Standards</b>		VadaTech is certified to both the ISO9001:2000 and AS9100B:2004 standards
<b>Warranty</b>		Two (2) years

## INTEGRATION SERVICES AND APPLICATION-READY PLATFORMS

VadaTech has a full ecosystem of OpenVPX, ATCA and MTCA products including chassis platforms, shelf managers, AMC modules, Switch and Payload Boards, Rear Transition Modules (RTMs), Power Modules, and more. The company also offers integration services as well as pre-configured Application-Ready Platforms. Please contact VadaTech Sales for more information.

# Ordering Options

## VT985 – A00-000-000

A = Maximum RS-422 Speed		
0 = 20 Mbps* 1 = 50 Mbps		

Notes: \*Min order quantity required.

# Contact

## VadaTech Corporate Office

198 N. Gibson Road, Henderson, NV 89014

Phone: +1 702 896-3337 | Fax: +1 702 896-0332

## Asia Pacific Sales Office

7 Floor, No. 2, Wenhui Street, Neihu District, Taipei 114, Taiwan

Phone: +886-2-2627-7655 | Fax: +886-2-2627-7792

## VadaTech European Sales Office

VadaTech House, Bulls Copse Road, Southampton, SO40 9LR

Phone: +44 2380 016403

info@vadatech.com | www.vadatech.com

# Choose VadaTech

## We are technology leaders

- First-to-market silicon
- Constant innovation
- Open systems expertise

## We commit to our customers

- Partnerships power innovation
- Collaborative approach
- Mutual success

## We deliver complexity

- Complete signal chain
- System management
- Configurable solutions

## We manufacture in-house

- Agile production
- Accelerated deployment
- AS9100 accredited



**vadatech**  
THE POWER OF VISION

## Trademarks and Disclaimer

The VadaTech logo is a registered trademark of VadaTech, Inc. Other registered trademarks are the property of their respective owners. AdvancedTCA™ and the AdvancedMC™ logo are trademarks of the PCI Industrial Computers Manufacturers Group. All rights reserved. Specification subject to change without notice.

© 2018 VadaTech Incorporated. All rights reserved.  
DOC NO. 4FM737-12 REV 01 | VERSION 1.2 – NOV/18