

VT992 – 1U External Power Supply for MTCA Systems, Quad 1200 W

1U External Power Supply



KEY FEATURES

- Up to four hot-swappable Power Supply Units
- 1200W per PSU
- Four –48V DC Output via front panel
- MicroTCA 1U 19" rack mount chassis platform
- RoHS compliant

μTCA®

Benefits of Choosing VadaTech

- 1U chassis in 19" rackmount
- Compact solution for providing full power redundancy
- Electrical, mechanical, software, and system-level expertise in house
- Full ecosystem of front and rear boards, enclosures, specialty modules, and test/dev products from one source
- AS9100 and ISO9001 certified company

The VT992 is a 1U, 19" rack mountable external power supply for μTCA systems. The VT992 can be purchased with up to four hot-swappable Power Supply Units (PSU). These universal AC input PSUs are accessed via rear of the VT992.

The VT992 provides four –48 VDC outputs via front panel connectors. Each PSU supplies 1200 W power with total power output of 4800 W.

POWER SUPPLY

The VT992 offers quad redundant AC power supplies that are hot pluggable from the rear of the chassis.

COOLING AND TEMPERATURE SENSORS

The VT992 has built-in intelligent Cooling Units that provide front to back cooling. There are Temperature sensors throughout the chassis that monitors the intake and the outtake air temperature.

CHASSIS LAYOUT

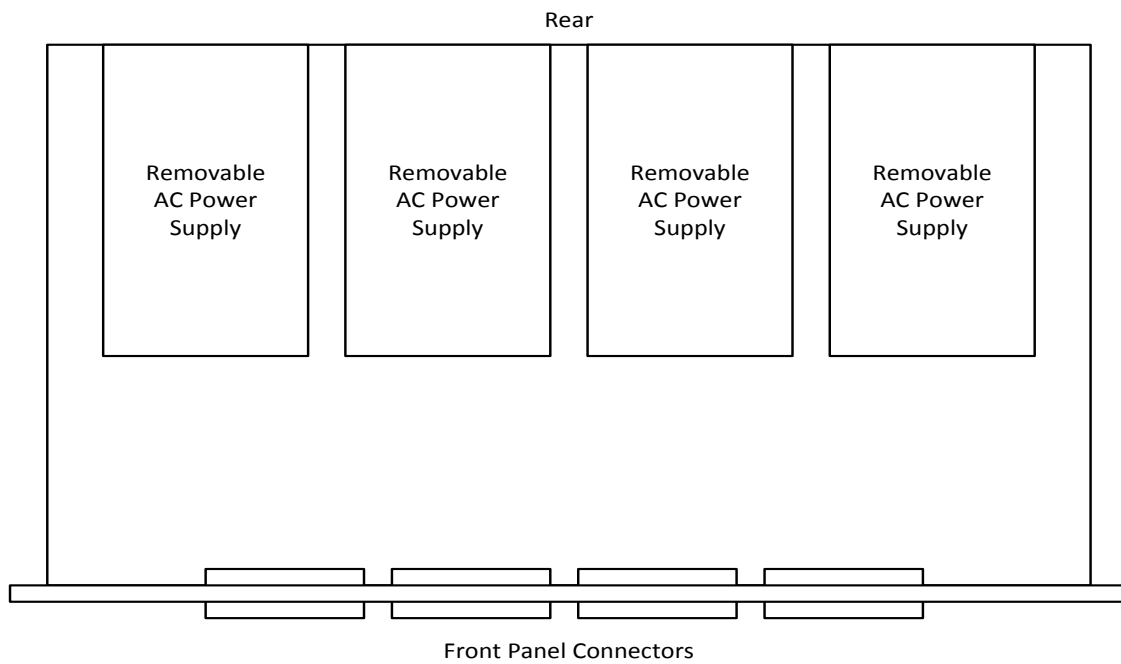


Figure 1: Top View of VT992

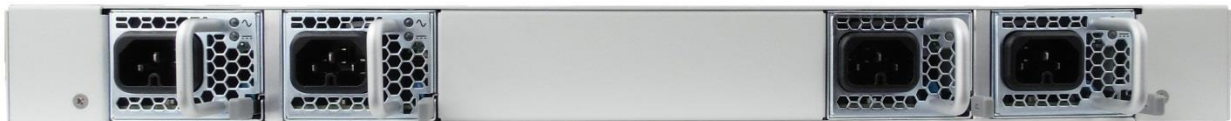


Figure 2: Rear View of VT992

BLOCK DIAGRAM

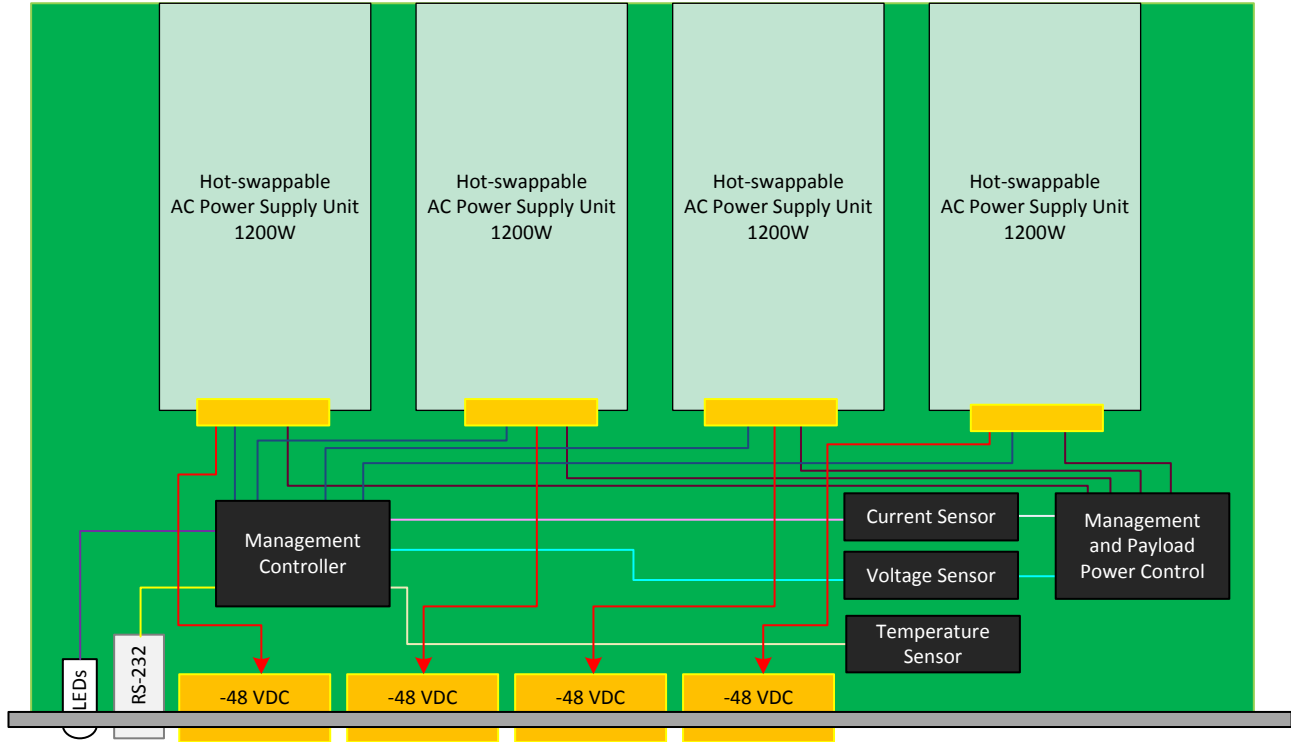


Figure 2: Top Level Block Diagram

SPECIFICATIONS

Architecture				
Physical	Dimensions	Height 1U		
		Width 19"		
		Depth 16.50"		
Type	MTCA Power Supply	External power supply for MTCA chassis		
Standards				
μTCA	Type	MicroTCA.0		
Power	Power	Input: Up to four Universal AC, Output: Up to four –48 VDC, 1200 W per supply Up to 4 hot-swappable PSU accessed via rear		
		Environmental	Temperature	Operating Temperature: 0° to 55° C Storage Temperature: –40° to +70° C
		Altitude	10,000 ft operating 40,000 ft non-operating	
Front Panel	Relative Humidity	5 to 95 percent, non-condensing		
	LEDs	IPMI management LEDs		
	Interface	Four –48 VDC power connectors RS-232 via Micro USB		
Conformal Coating	Humiseal 1A33 Polyurethane (Optional) Humiseal 1B31 Acrylic (Optional)			
	Other			
MTBF	MIL Hand book 217-F @ TBD Hrs			
Certifications	Designed to meet FCC, CE and UL certifications where applicable			
Standards	VadaTech is certified to both the ISO9001:2000 and AS9100B:2004 standards			
Warranty	Two (2) years			

INTEGRATION SERVICES AND APPLICATION-READY PLATFORMS

VadaTech offers a full range of ATCA and μTCA products including chassis platforms, shelf managers, AMC modules, carriers, Rear Transition Modules (RTM), Power Modules, and more. This allows customers to source complete systems from an industry-leader provider with confidence of interoperability. The company also offers integration services as well as pre-configured Application-Ready Platforms. Please contact VadaTech Sales for more information.

Trademarks and Disclaimer

The VadaTech logo is a registered trademark of VadaTech, Inc. Other registered trademarks are the property of their respective owners. AdvancedTCA™ and the AdvancedMC™ logo are trademarks of the PCI Industrial Computers Manufacturers Group. All rights reserved. Specification subject to change without notice

VT992 – 1U External Power Supply for MTCA Systems, Quad 1200 W

ORDERING OPTIONS

VT992 – AB0 – 000 – 00J

A = Power Supply Units (PSU)*

- 1 = Single PSU
- 2 = Dual PSUs
- 3 = Triple PSUs
- 4 = Quad PSUs

B = Power output cables

- 0 = With power cable**
- 1 = Without power cables

J = Temperature Range and Coating

- 0 = Commercial, No coating
- 1 = Commercial, Humiseal 1A33 Polyurethane
- 2 = Commercial, Humiseal 1B31 Acrylic
- 3 = Industrial, No coating
- 4 = Industrial, Humiseal 1A33 Polyurethane
- 5 = Industrial, Humiseal 1B31 Acrylic
- 6 = Reserved
- 7 = Reserved

* 1200 W per power supply

** Single 12" cable. For other configurations, use B=1 and order cables separately

RELATED PRODUCTS



VT892
7U MTCA Chassis



VT895
6U MTCA Chassis



UTC010
MTCA Power Module

CONTACT US

VadaTech Corporate Office

198 N. Gibson Rd.
Henderson, NV 89014
Email: info@vadatech.com
Telephone: +1 702 896-3337
Fax: +1 702 896-0332

Asia Pacific Sales Office

7 Floor, No. 2, Wenhua Street, Neihu District,
Taipei 114, Taiwan
Email: info@vadatech.com
Telephone: +886-2-2627-7655
Fax: +886-2-2627-7792

VadaTech European Sales Office

VadaTech House, Bulls Copse Road,
Southampton, SO40 9LR
Email: info@vadatech.com
Telephone: +44 2380 016403