

VTX950

1U Open VPX Rackmount Chassis
with Intel Xeon E5 Processor, Two
3U Payload Slots with RTM Support



VTX950

Key Features

- 1U Open VPX Rackmount platform
- Intel® Xeon® Processor Intel® Xeon E5-2648L v4
- Two 3U VPX payload slots
- Serial Over LAN (SOL)
- 32 GB of DDR4 memory with ECC
- TPM (Trusted Platform Module)
- 64 GB of Flash
- Support for Rear Transition Modules (RTMs)
- Removable Fan tray
- Shelf Manager for health management
- Redundant cooling in push/pull side-to-side airflow configuration

Benefits

- 500 W Universal AC Power Input
- Electrical, mechanical, software, and system-level expertise in house
- Full system supply from industry leader
- AS9100 and ISO9001 certified company

OpenVPX™



vadatech
THE POWER OF VISION



VTX950

The VTX950 is a 1U Open VPX chassis with two 3U VPX payload slots. The chassis has integrated Intel® Xeon® Processor E5-2648L v4 which has 14 Cores @ 1.8 GHz. The VTX950 has on board 64 GB of Flash for OS and application. The VTX950 has on board 64 GB of Flash for OS and application. Further the chassis has an on board layer 2 managed switch. Each VPX modules connect to the CPU via PCIe x8 Gen3. The Chassis comes with VadaTech third generation Chassis shelf manager to provide health management.

Power Supplies

The VTX950 has an AC input power supply to provide 500 W. The chassis supplies 85 W/slot and the AC input is universal.

Cooling and Temperature Sensors

The VTX950 provides right to left cooling to the VPX slots designed to meet ANSI/VITA 65 providing 18 CFM per slot at 0.24 in-H₂O @ 5000 feet. The VTX950 provides push/pull cooling to the RTM slots.

Backplane

The backplane provides two 3U VPX payload slots in a star configuration, fully compliant to VITA 46.0 baseline specification with additional support to the RTMs, compliant to VITA 46.10 and OpenVPX VITA 65.



Figure 1: VTX950 Front View



Figure 2: VTX950 Rear View

Backplane Configuration

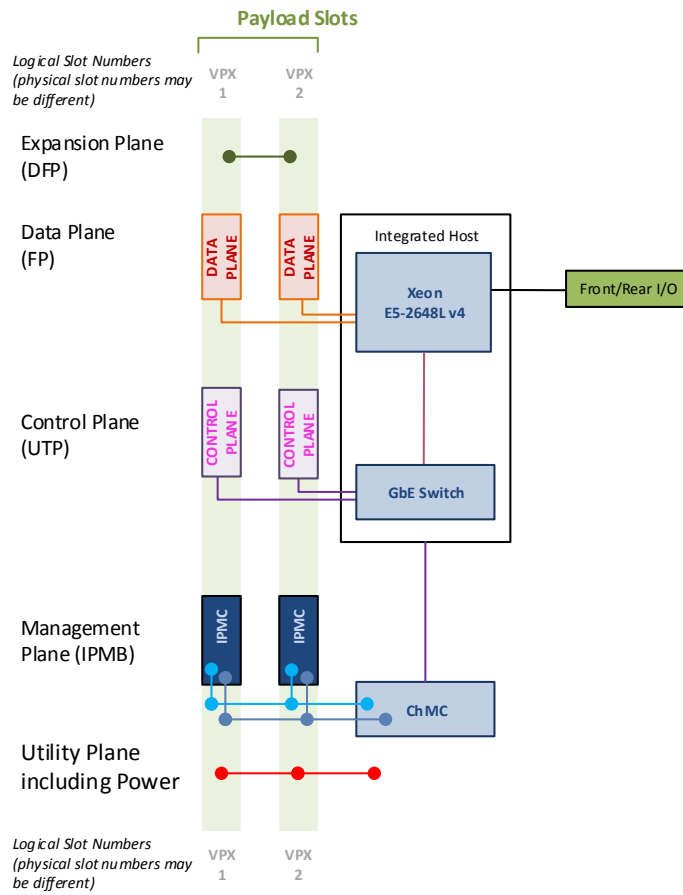


Figure 3: VTX950 Backplane Connections

The initial offering on VTX950 is based on backplane profile BKP3-CEN02_15.2.2-n. VadaTech can also design additional VITA standard backplane profiles for customer specific applications. Please contact your local sales team for more information.

Chassis Layout



Figure 4: VTX950 Chassis Layout - Front



Figure 5: VTX950 Chassis Layout - Rear

Specifications

Architecture	
Physical	Dimensions Height: 1U Width: 19" Depth: 12" Weight: TBD
Type	VPX Shelf 2 Payload Slot up to 1.0" pitch with integrated Intel CPU
Standards	
VPX	Type VITA 46.0 Baseline Specification
Configuration	
Power	VTX950 500 W Universal AC input
Environmental	See ordering options
Cooling	Right to left
Other	
MTBF	MIL Hand book 217-F@ TBD hrs
Certifications	Designed to meet FCC, CE and UL certifications, where applicable
Standards	VadaTech is certified to both the ISO9001:2000 and AS9100B:2004 standards
Warranty	Two (2) years

INTEGRATION SERVICES AND APPLICATION-READY PLATFORMS

VadaTech has a full ecosystem of OpenVPX, ATCA and MTCA products including chassis platforms, shelf managers, AMC modules, Switch and Payload Boards, Rear Transition Modules (RTMs), Power Modules, and more. The company also offers integration services as well as pre-configured Application-Ready Platforms. Please contact VadaTech Sales for more information.

Ordering Options

VTX950 – 000-000-0HJ

		H = Environmental
		See Environmental Specification Table below
		J = Conformal Coating
		0 = No coating 1 = Humiseal 1A33 polyurethane 2 = Humiseal 1B31 acrylic

Environmental Specification*

Option H	H = 0	
Operating Temperature	-5°C to +55°C	
Storage Temperature	-40°C to +85°C	
Operating Vibration	0.04 g2/Hz max	
Storage Vibration	20 g	
Humidity	95% non-condensing	

Notes: *Please contact VadaTech Sales for other specification

Related Products

VPX518



- AMC FPGA carrier for FMC per VITA 57
- Xilinx Zynq-7000 FPGA in FFG-900 package(XC7Z100 or XC7Z045) with embedded ARM®
- Supported by DAQ Series™ data

VPX592



- 3U FPGA carrier for FPGA Mezzanine Card (FMC) per VITA 46 and VITA 57
- Xilinx Kintex UltraScale™ XCKU115 FPGA
- High-performance clock jitter cleaner

VPX599



- 3U FPGA Dual DAC and dual ADC per VITA 46
- Xilinx Kintex UltraScale™ XCKU115 FPGA
- Dual ADC @ 6.4 GSPS 12-bits

Contact

VadaTech Corporate Office

198 N. Gibson Road, Henderson, NV 89014

Phone: +1 702 896-3337 | Fax: +1 702 896-0332

Asia Pacific Sales Office

7 Floor, No. 2, Wenhua Street, Neihu District, Taipei 114, Taiwan

Phone: +886-2-2627-7655 | Fax: +886-2-2627-7792

VadaTech European Sales Office

VadaTech House, Bulls Copse Road, Southampton, SO40 9LR

Phone: +44 2380 016403

info@vadatech.com | www.vadatech.com

Choose VadaTech

We are technology leaders

- First-to-market silicon
- Constant innovation
- Open systems expertise

We commit to our customers

- Partnerships power innovation
- Collaborative approach
- Mutual success

We deliver complexity

- Complete signal chain
- System management
- Configurable solutions

We manufacture in-house

- Agile production
- Accelerated deployment
- AS9100 accredited



vadatech
THE POWER OF VISION

Trademarks and Disclaimer

The VadaTech logo is a registered trademark of VadaTech, Inc. Other registered trademarks are the property of their respective owners. AdvancedTCA™ and the AdvancedMC™ logo are trademarks of the PCI Industrial Computers Manufacturers Group. All rights reserved. Specification subject to change without notice.

© 2018 VadaTech Incorporated. All rights reserved.
DOC NO. 4FM737-12 REV 01 | VERSION 1.1 – OCT/18